

# Joist connector

- 1 No longer is the joist/bearer interface the weakest connection in your deck.
- 2 Keeps your joists dry and prevents moisture-initiated degradation of joists and bearers caused by skew nailing.
- 3 Allows you to lay out joists standing in position, simply (gun) nail them off in one operation.
- 4 Unlike Triple-grip type products, the Joist Connector allows fixing to and stabilizes both sides of your joists to your bearer.
- 5 Helps prevent long term squeaking problems when used on internal floor joists.
- 6 Will not rust – can be used in any harsh environment.
- 7 Made from Nylon 6 Engineering Polymer – strong, tough, good UV stability.
- 8 Fix with gun-nails, manual nails or screws.
- 9 Aesthetic design – looks good when the underneath of your deck or pergola is exposed.
- 10 Can be painted without problems of paint adherence.



The positive connection between joist and bearer

## Fixings required

### Joist connector to bearer

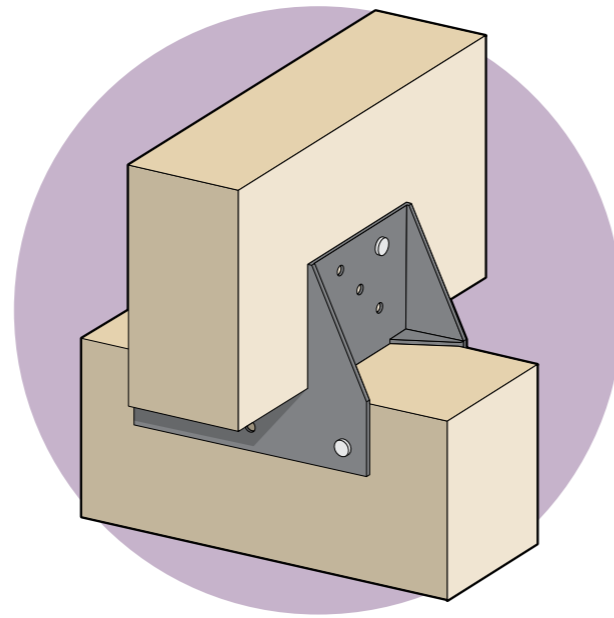
2 fixings on each side of bearer  
Cyclone areas C1 and C2 – 3 fixings per side of bearer (not suitable for areas C3 and C4)

### Joist connector to joist

Less than 1 metre off the ground – 1 fixing per side of joist  
Higher than 1 metre off the ground – 2 fixings per side of joist  
Cyclone areas C1 and C2 – 3 fixings per side of joist (not suitable for areas C3 and C4)

### Approved fixings

35 x 3.15mm timber connector nails  
32 x 2.7mm hot dipped galvanised coil nails or equivalent (not suitable in cyclonic areas)  
35mm x 8g galvanised stitching screws (not suitable in cyclonic areas)  
Note – stainless steel equivalents of the above should be used in high corrosion areas.



Product	Size / Fit
JC9045N	To attach 45mm width joist to 90mm width bearer
JC7045N	To attach 45mm width joist to 70mm width bearer
JC4545N	To attach 45mm width joist to 45mm width bearer

# KlevaKlip Building Products

Making deck building easier!



**Adjustable joist support**  
For decks over concrete slabs

**KLEVAKLIP™**  
BUILDING SYSTEMS



**Adjustable bearer support**  
For use with decks 300mm to 600mm off the ground



**Joist connector**  
The positive connection between joist and bearer

# Adjustable bearer support



For use with decks 300mm to 600mm off the ground

- 1 Quick and easy to use when setting height of your bearer.
- 2 Ideal for use on areas where the ground has a "fall", to provide a level bearer height.
- 3 Provides a "bottom of bearer" height from 160mm to 290mm.
- 4 Heavy duty and fully hot dip galvanised ensures long life-span without failure. Locking nuts ensure absolute rigidity.
- 5 Easily used with 70mm, 90mm or 45-50mm width bearers of various heights.
- 6 Variety of uses include the building of ramps, stairs, post supports.
- 7 Can be used to prop up existing bearers or floor joists that have sagged over a period of time.

## Span Table

To be read in conjunction with Bearer (Timber) span tables. In some instances the placing (distance between bearer supports) of the Adjustable Bearer Supports will be limited by the span capabilities of the actual bearer itself.

MAXIMUM LOAD AREA (M<sup>2</sup>)

Bearer Width	Bearer Support Height (Mm)	2 Span Continuous	3 Span Continuous
70mm	290	3.2	3.6
70mm	230	4.1	4.7
70mm	160	4.6	5.2
90mm	290	2.2	2.5
90mm	160	3.5	4.0
45-50mm**	290	3.2	3.6
45-50mm**	160	4.6	5.2

\*\* When using 45 or 50mm bearers, in order to achieve the above load areas, the bearer must be packed out from to "L-bracket" to ensure the centre of the bearer is directly above the centre of the bearer support column.

## Installation

Adjustable Bearer Supports should always be fixed with 2 x 12mm dynabolts, blue-bolts or similar to ensure strength and stability of base.

Base plates are recommended to be placed at 90 degrees to the adjacent base plate to provide best possible lateral stability in all directions. This is critically important if building a free-standing deck (i.e. not attached to any fixed structure – eg house).

Locking nuts should be fully tightened at all times. This is especially important when the thread is wound out near its maximum height.

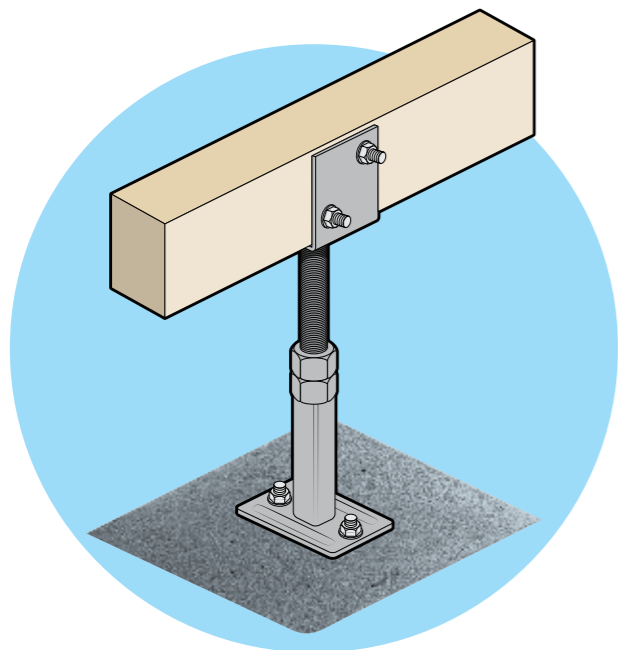
**Do not wind the Adjustable Bearer Support higher than 290mm to the bottom of bearer height.**

Note: On a free-standing deck (i.e. not attached to a fixed structure), regardless of bearers meeting span requirements, a minimum of six (6) Adjustable Bearer Supports should be used.

## Further Information

All information in span tables relate to load bearing of 3.5 KPa as per Australian Standard AS1170-1.

The Adjustable Bearer Support has been hot dip galvanised to standards AS/NZS 4680:2006



# Adjustable joist support



For decks over concrete slabs

- 1 Keeps your joists off the concrete and free of unwanted moisture ingress. This prevents joist-rot through the bottom of your joists.
- 2 Is ideal for use on area where the concrete has built in "fall" - to provide a level deck.
- 3 Quick and easy to use – purpose-built for the application.
- 4 Gives a neat, professional look across your deck structure without resorting to various different packers and brackets to achieve your end result.
- 5 Height of the deck is determined by the length of bolts used.

## Adjustable Joist Support

The Adjustable Joist Support has been designed specifically to enable decks to easily be built over concrete slabs in areas where limited ground clearance is available. It is ideal for use when the step-down from the house to the concrete slab is between 100mm (min) and around 300mm.

The Adjustable Joist Support designed to be used with 45mm wide treated pine joists - the cradle of the joist hanger is 46mm wide x 100mm long x 65mm high. It can be used with other types of joists if they are the right thickness.

The adjustable joist supports come in boxes containing 24 joist hangers and 24 base plates.

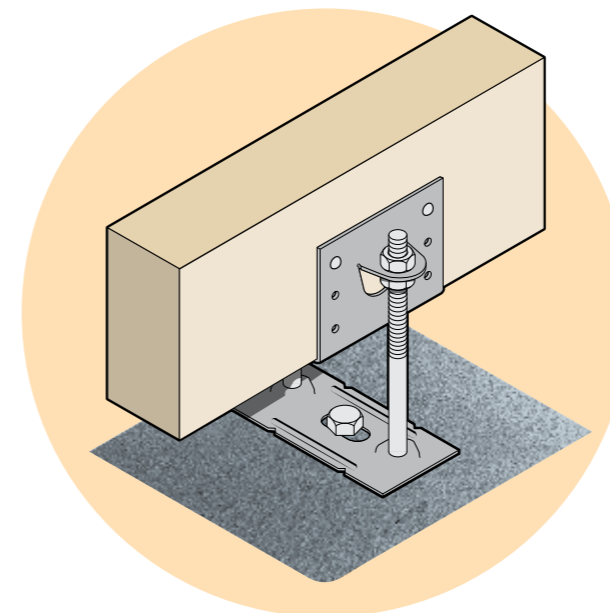
## What length bolts are required?

Hex Head Bolt Length	Min Height to Bottom of Joist	Max Height to Bottom of Joist	Min Height to Top of 70/90 mm Joist	Max Height to Top of 70/90/140 mm Joist
60 mm	12 mm	20 mm	82/102 mm	90/110/160 mm
120 mm	18 mm	80 mm	88/108 mm	150/170/220 mm
No Bolt*	6 mm		76/96 mm	

\* When using Joist Support only Heights based on using Zenith Brand Bolts

## Each Adjustable Joist Support requires

2 x Galvanised M10 hex head bolts,  
4 x nuts, 2 x flat washers and  
1 x 12mm Dynabolt, blue-bolt or similar.  
All purchased separately from your hardware store.



## Further Information

The Adjustable Joist Support has been manufactured to meet deck load bearing standards as per Australian Standard AS1170-1 and Australian hot dipped galvanising standards AS/NZS 4680:2006

## Span Table for Base-Plate Positioning

	Recommended Span (mm)	Maximum Span (mm)
70 x 45 MGP10	800	1200
90 x 45 MGP10	1000	1500
90 x 45 MGP12	1400	1800
*120x 45 MGP10	1800	1800
*140x 45 MGP10	1800	1800

All based upon "continuous span" with joists at 450mm between centre's.

\* Joist span limited by lateral loading on bolts