



e-joist 
engineered floor joists

Table of Contents

e-joint Design Information	Page 2
Floor Joists Supporting Floor and Ceiling Loads Only	3
e-joint Construction Information	4
e-joint Installation Details	5
Bearing at Supports	5
Support Details	6
Bracing and Blocking	7
Ground Floor Framing	9
Fixing to Supports	10
Flange Notching and Web Cutting	12
Bracing and Tie Down	13
Openings in Floors	14
Cantilevers for Balconies (Non-Load Bearing)	16
Determination of Roof Load Width	18
Load Bearing Cantilevers	19
Floor Joists Supporting Parallel Load Bearing Walls	22
e-joint Floor Joists	23
e-beam Floor Joists	24
Services Hole Guide	25
e-joint Specification	27
General Notes	28

e-joist is the premier I-joist product available in Australia. e-joist has many advantages over traditional building products, including its uniformity of engineering properties, its high strength to weight ratio and its availability in longer lengths.

e-joist is available in a range of depths and flange widths as presented below:

Flange Width	Depths				
	200	240	245	300	360
45	ej20045	ej24045	ej24545*	ej30045	
63	ej20063*	ej24063	ej24563*	ej30063	ej36063
90	ej20090*	ej24090	ej24590*	ej30090	ej36090

Note:

e-joist sizes marked with an * are not available in all Australian States. Check with your local Wesbeam office or approved Wesbeam distributor for available stock sizes.

e-joist is manufactured from plantation timbers, making it an environmentally sustainable resource.

About e-joist

e-joist utilises a Laminated Veneer Lumber (LVL) flange and a structural web. Flanges are manufactured by laminating predominantly Maritime Pine veneer using phenolic adhesive in a continuous assembly in which the grain direction of all veneers runs longitudinally.

Material Safety Data Sheets (MSDS)

MSDS information on the LVL flange and web materials is available at www.wesbeam.com

Use of e-joist Data

The Tables and other technical data provided in this publication are only applicable to e-joist manufactured by Wesbeam. This data should not be used for look-alike or substitute products. Use of the e-joist data for look-alike or substitute products can result in unsafe or unsatisfactory performance.

Design Loads

These tables are designed to be used for residential housing only. For use in other applications, including flats, school buildings, offices, and a range of commercial applications, please refer to either the e-house suite of design software or Wesbeam technical staff.

Structural Design and Certification

The Span Tables and technical data in this publication are Certified to be in accordance with all relevant Australian Standards, and have been prepared by

Timberbuilt Solutions Pty Ltd
58A Whiteside Road (PO Box 1181)
Clayton South VIC 3169
P 03 9543 3733
E folk@timberbuilt.com.au

Timberbuilt Pty Ltd are an independent Consulting Engineering firm, experienced and qualified in timber engineering design.

Terminology, Definitions & Notations Used in these Tables

The terminology, definitions and notations used in this brochure are similar to and consistent with those used and listed in AS1684 Residential timber framed construction.

engineered to load
engineered to length
engineered to last

end of story

e-joint Design Information

Flooring

Specified floor joist spans are independent of flooring type and are therefore suitable for a range of flooring products including: particleboard flooring, plywood flooring or strip flooring.

Floor joist spans are determined in accordance with AS1684 – Residential Timber Framed Construction, with a floor self weight of 40kg/m² and a floor live load of 1.5kPa (~150kg/m²). One third of the floor live load (50kg/m²)- is considered a permanent live load (PLL).

Heavier Floor Loadings

Heavier permanent floor loads (PLL) – greater than 40kg/m² – requires special consideration, eg tiled or slate flooring on a mortar bed, spa baths, island benchtops located in the middle 1/3 of the joist span, pantries not located over or adjacent to load bearing walls under, or large additional furniture loads in a room. Where such additional floor loadings are to be supported by the floor joists the additional floor loading (kg/m²) should be determined. The calculated additional floor loading should then be added to the 40kg/m² permanent floor loading specified in AS1684. As an example, if the calculated additional permanent floor loading is 50kg/m², the long term permanent floor loading used in the floor design will be 40kg/m² + 50kg/m² = 90kg/m².

e-house Software

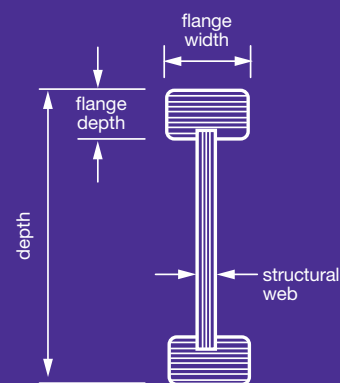
Wesbeam's e-house software can be used to size e-joists for actual member conditions - span, spacing, floor mass, and wind classification.

Recommended Span Range

The tables are designed to present the building designer with a range of options. Selecting a joist span toward the higher end of the span range will provide the most economic floor system. Selecting a joist span nearer the lower extent of the span range will provide a more rigid floor system.

e-joint Nomenclature

ej30045 – denotes an e-joint 300mm deep with a 45mm wide flange.



Floor Joists Supporting Floor and Ceiling Loads Only

Recommended Floor Joist Spans (m): Single Spans

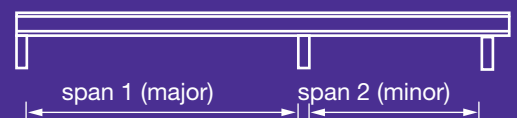
Section Code	Recommended Span Range								
	Single Span								
	Joist spacings (mm)								
	300		450		600				
ej20045	4.3	to	4.5	3.2	to	3.8	3.0	to	3.6
ej24045	4.7	to	5.0	3.7	to	4.5	3.5	to	4.2
ej24063	5.1	to	5.4	4.2	to	4.9	3.9	to	4.5
ej24090	5.7	to	6.1	5.0	to	5.4	4.6	to	5.0
ej24545	4.8	to	5.1	3.8	to	4.6	3.6	to	4.2
ej24563	5.2	to	5.5	4.3	to	5.0	4.0	to	4.6
ej24590	5.8	to	6.2	5.1	to	5.5	4.7	to	5.1
ej30045	5.4	to	5.7	4.6	to	5.1	4.3	to	4.7
ej30063	5.8	to	6.1	5.1	to	5.5	4.8	to	5.1
ej30090	6.5	to	6.9	5.8	to	6.2	5.3	to	5.7
ej36063	6.5	to	6.8	5.8	to	6.1	5.3	to	5.7
ej36090	7.2	to	7.6	6.4	to	6.8	5.9	to	6.3

Recommended Floor Joist Spans (m): Continuous Spans

Continuous span table values apply to joists that are continuous over three or more supports; if adjacent spans are unequal, the major span is not greater than twice the adjacent minor span.

Section Code	Recommended Span Range								
	Continuous Span								
	Joist spacings (mm)								
	300		450		600				
ej20045	4.9	to	5.2	3.7	to	4.5	3.5	to	4.2
ej24045	5.4	to	5.7	4.5	to	5.1	4.1	to	4.7
ej24063	5.8	to	6.2	5.0	to	5.5	4.6	to	5.1
ej24090	6.5	to	6.9	5.8	to	6.1	5.3	to	5.6
ej24545	5.5	to	5.8	4.6	to	5.2	4.2	to	4.8
ej24563	5.9	to	6.3	5.1	to	5.6	4.7	to	5.2
ej24590	6.6	to	7.0	5.9	to	6.3	5.4	to	5.7
ej30045	6.1	to	6.5	5.5	to	5.8	5.0	to	5.4
ej30063	6.6	to	7.0	5.8	to	6.2	5.4	to	5.7
ej30090	7.3	to	7.8	6.5	to	6.9	5.9	to	6.4
ej36063	7.3	to	7.8	6.5	to	6.9	6.0	to	6.4
ej36090	8.1	to	8.6	7.2	to	7.7	6.6	to	7.0

Consider as continuous span if Span 1 (major) is not greater than 2 times Span 2. If it is, use the recommended Floor Joist Spans for Single Span above.



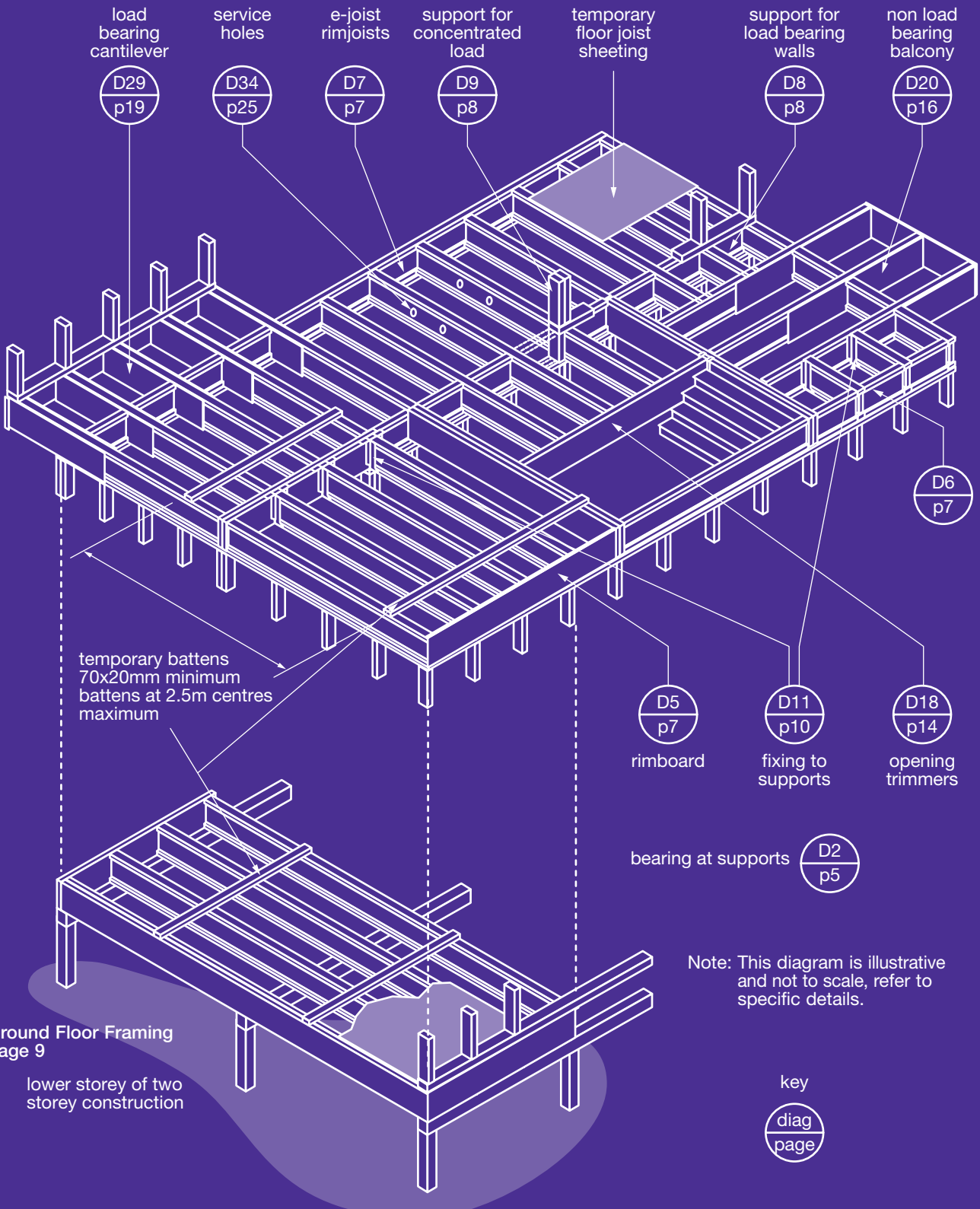
Note:

1. The tables for single and continuous floor joist spans assume a floor self-weight of 40kg/m² and a floor live load of 1.5kPa (~150kg/m²). One third of the floor live load is considered a permanent live load (PLL).

e-joint Construction Information

diagram D1: e-joint Construction Information

Upper Floor Framing
(for clarity, flooring not shown under walls)



Ground Floor Framing
page 9

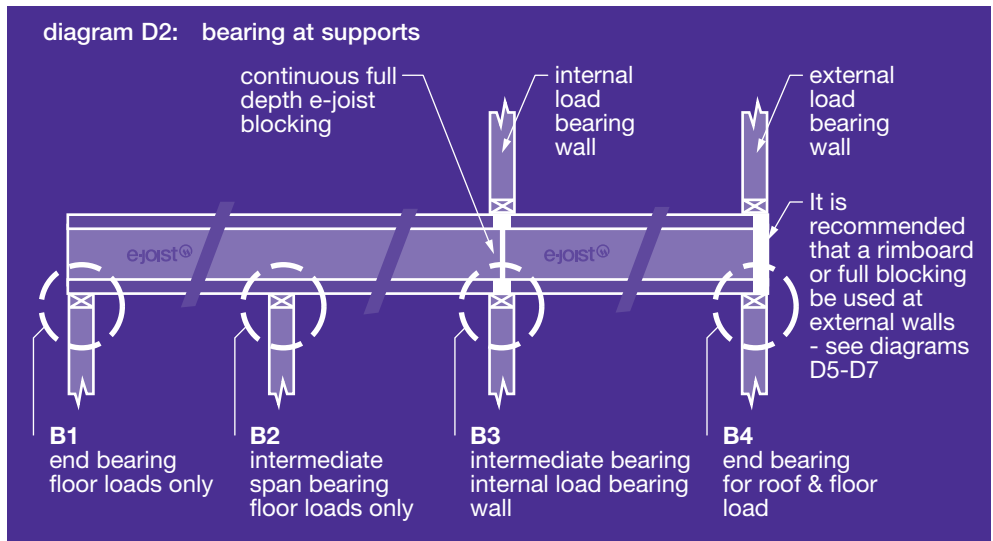
lower storey of two
storey construction

Note: This diagram is illustrative
and not to scale, refer to
specific details.



e-joint Installation Details

Bearing at Supports



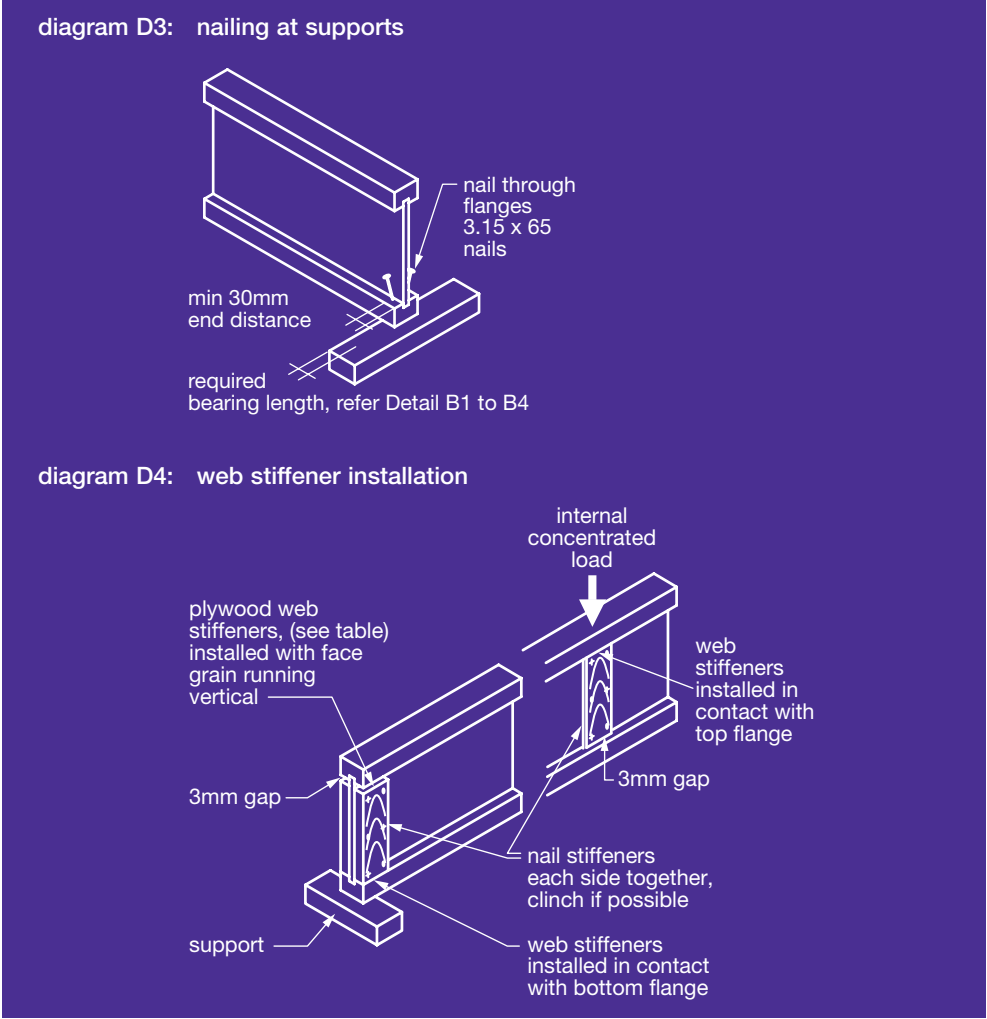
Detail B1	End Supports - single or continuous spans				
Minimum Bearing	35				
Detail B2	Intermediate Supports - continuous spans				
	Joist Type	Joist Spacing			
		300	450	600	
Minimum Bearing	All e-joists	45	45	70	
Detail B3	Intermediate Supports				
Provide minimum bearing as for intermediate supports (B2) and Install continuous full depth e-joint blocking to transfer roof and wall loads to supports					
Detail B4	End Supports with Rimboard or full blocking				
Minimum Bearing	35				
Detail B4	End Supports with no Rimboard or full blocking (just minimum blocking)				
	Roof Material	Joist Type	Joist Spacing		
			300	450	600
Minimum Bearing	Sheet Roof	All	45	45	65 (45s)
	Tile Roof	All 200, 240, 245 and 300 e-joists	70	70	90 (65s)
		ej36063	70	70	90 (65s)
		ej36090	70	70	95 (70s)

Note:

1. "(s)" – the value in the brackets is the minimum required bearing length if web stiffeners are installed, refer detail D4.

e-joint Installation Details

Support Details



e-joint Flange Width	Stiffener	Nail Length
45mm	17 x 60mm ply	65mm
63mm	27 x 60mm ply	65mm
90mm	2/19 x 60mm ply 39 x 60mm solid timber	90mm
e-joint Depth	Stiffener Nailing Requirements	
200 240 245	3 x ø3.15 nails each side clinched where possible	
300 360	4 x ø3.15 nails each side clinched where possible	

e-joint Installation Details

All joists to be installed vertically plumb and kept straight between supports.

Temporary and Permanent Bracing and Blocking

Temporary Blocking

Temporary blocking during construction prevents joists rolling over while the sheet floor is being installed.

Minimum Temporary Blocking Requirements are: the outer three joists (2 spaces) and intermediate joists (2 joist spaces) at no more than 3.6m centres using solid or e-joint floor blocking (see detail D6).

Temporary battens must be also used during construction. Joists must be restrained at a maximum of 2.5m centres with battens (70 x 20mm min) fixed back to points of rigidity (see construction layout diagram D1). Temporary battens must be installed prior to walking on open joists or attempting to lay flooring.

Note: Do not walk on or load floor joists until all blocking, rimboards, temporary bracing, hangers or nailing are installed.

Permanent Blocking / Bracing

Permanent Blocking / Bracing provides lateral resistance to transfer the “racking” loads, experienced by the house during wind events, through the floor to the lower bracing system.

If full blocking of exterior walls is undertaken, using one of the following methods shown in diagrams D5-D7, with temporary blocking as described above to all internal walls, then no further lateral bracing calculation is required – **this is highly recommended.**

Fixing of Flooring

Fixings for floors shall be in accordance with AS1684 and manufacturer’s recommendations. Nails (and screws) shall be 2.5 times the flooring thickness in length and not less than 2.5mm in diameter. It is recommended that flooring adhesive be used with sheet flooring.

Blocking/Bracing: External Load Bearing and Bracing Walls

diagram D5: 17mm rimboard

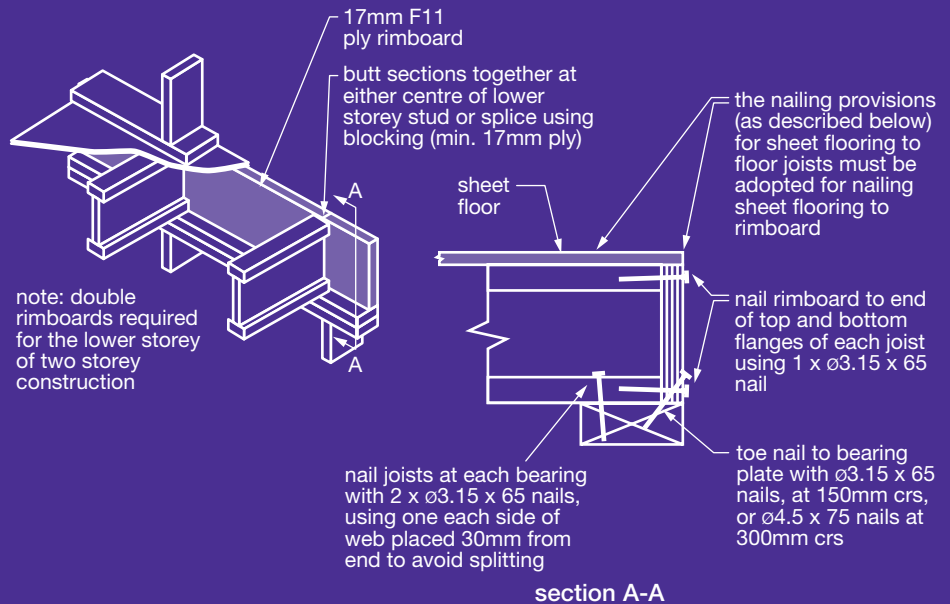


diagram D6: e-joint floor blocking

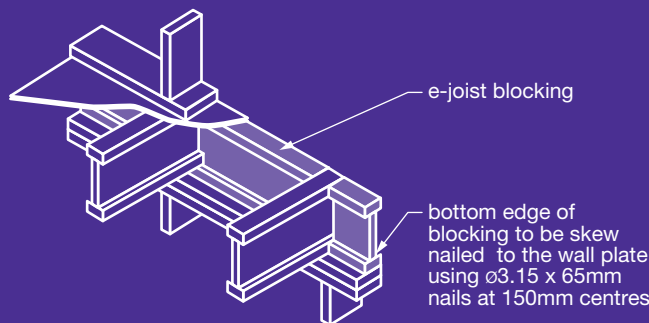
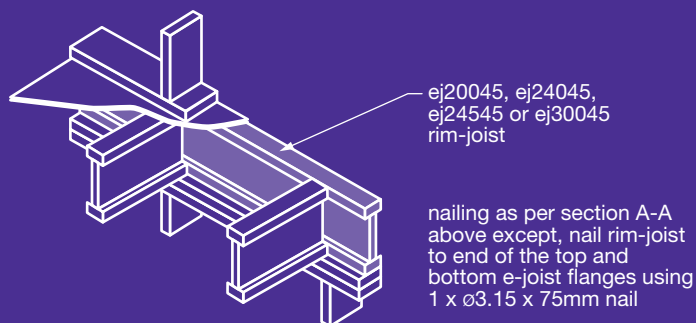


diagram D7: e-joint rim-joint (only suitable for 45mm flange width e-joists on 90mm plates)



e-joist Installation Details

Blocking/Bracing: Internal Load Bearing and Bracing Walls

diagram D8: e-joist floor blocking

load bearing wall above shall align vertically with stud wall below

e-joist blocking between all joists

diagram D9: support of concentrated loads

concentrated load or jamb stud

single nail to each flange as shown

if load bearing or bracing wall, provide blocking between joists

multiple compression blocks - cross sectional area to match that of studs above

compression block cut 1mm longer than joist depth

stud

e-joint Installation Details

Ground Floor Framing

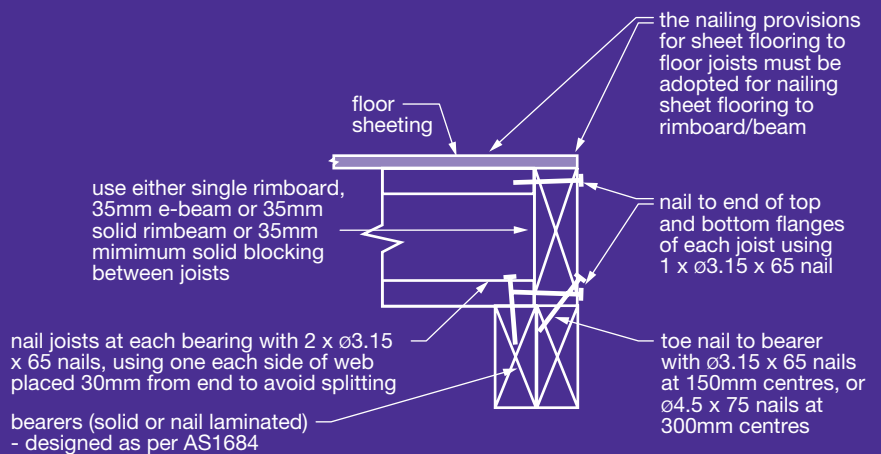
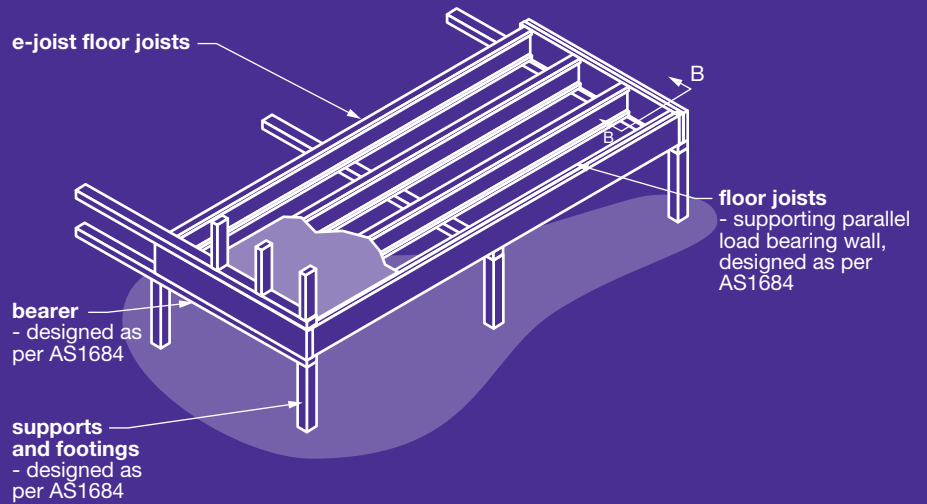
Sub-Floor Design

Ground floor joists can be sized using the Floor Joist Supporting Floor and Ceiling Loads Only tables. Sub-floor supports and footings should be designed in accordance with AS1684. Solid LVL sub-floor bearers and floor joist supporting parallel load bearing walls shall be designed using the appropriate Wesbeam e-beam or e-frame brochure. Tables for e-joint and e-beam Floor Joists Supporting Parallel Load Bearing Walls are included in this brochure.

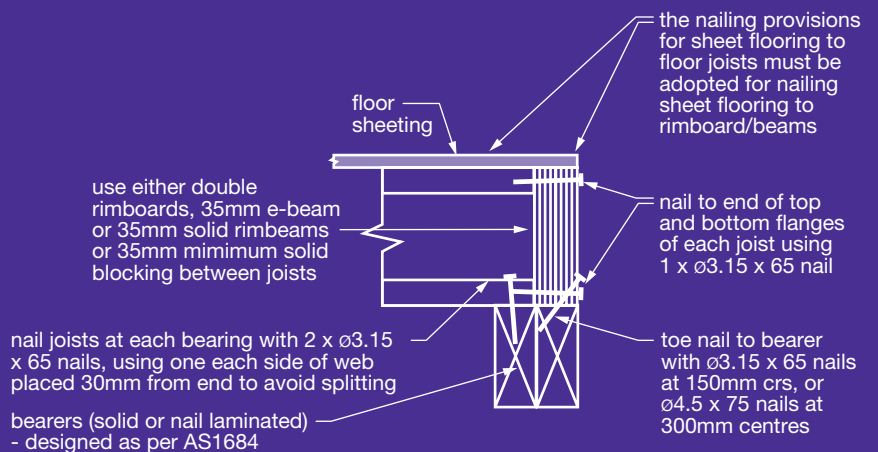
Ventilation

The Building Code of Australia stipulates a minimum ventilation requirement. Wall vents shall be built into all sides of the building, with special attention to corners to prevent 'dead spaces'.

diagram D10: ground floor framing



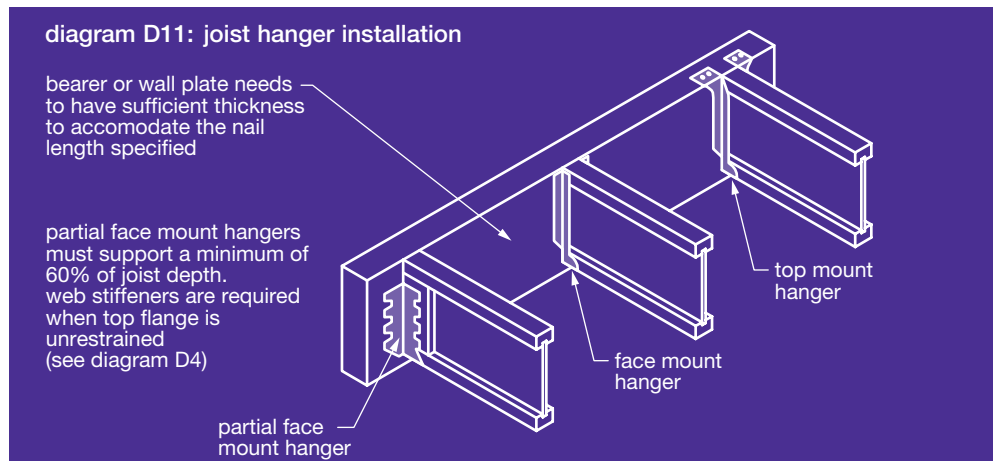
section B-B single storey construction



section B-B lower storey of two storey construction

e-joint Installation Details

Fixing to Supports



MiTek Installation Notes

1. Refer to MiTek's product literature for hanger installation details – incorrect installation can lead to unsafe or unsatisfactory performance.
2. Fix hanger to bearer or wall plate by filling all holes using MiTek $\phi 3.75 \times 35$ mm reinforced head galvanized nails.
3. Fix bottom e-joint flange using $2 \times \phi 3.75 \times 35$ mm reinforced head nails. Select one dimple each side of the e-joint which will allow the 35mm nail to be driven fully home at a 45° angle.

MiTek I-Joist Hanger Guide

e-joint	Face Mount Hanger		Top Mount Hanger	
	Hanger Code	Face Nails to Bearer	Hanger Code	Top Nails to Bearer
ej20045	IBHF20050	8	IBHT20050	6
ej20063	IBHF20065	8	IBHT20065	6
ej20090	IBHF20090	8	IBHT20090	6
ej24045	IBHF24050	10	IBHT24050	6
ej24063	IBHF24065	10	IBHT24065	6
ej24090	IBHF24090	10	IBHT24090	6
ej24545	IBHF24550	10	IBHT24050	6
ej24563	IBHF24565	10	IBHT24065	6
ej24590	IBHF24590	10	IBHT24090	6
ej30045	IBHF30050	12	IBHT30050	6
ej30063	IBHF30065	12	IBHT30065	6
ej30090	IBHF30090	12	IBHT30090	6
ej36063	IBHF36065	14	IBHT36065	6
ej36090	IBHF36090	14	IBHT36090	6

Pryda Installation Notes

1. Refer to Pryda's product literature for hanger installation details – incorrect installation can lead to unsafe or unsatisfactory performance.
2. Fix hanger to bearer or wall plate by filling all holes using $\phi 3.75 \times 40$ mm galvanized Pryda Timber Connector nails.
3. Sit joist in bracket and fix joist tight using a 30×6 gauge bugle-head or wafer-head wood screws.

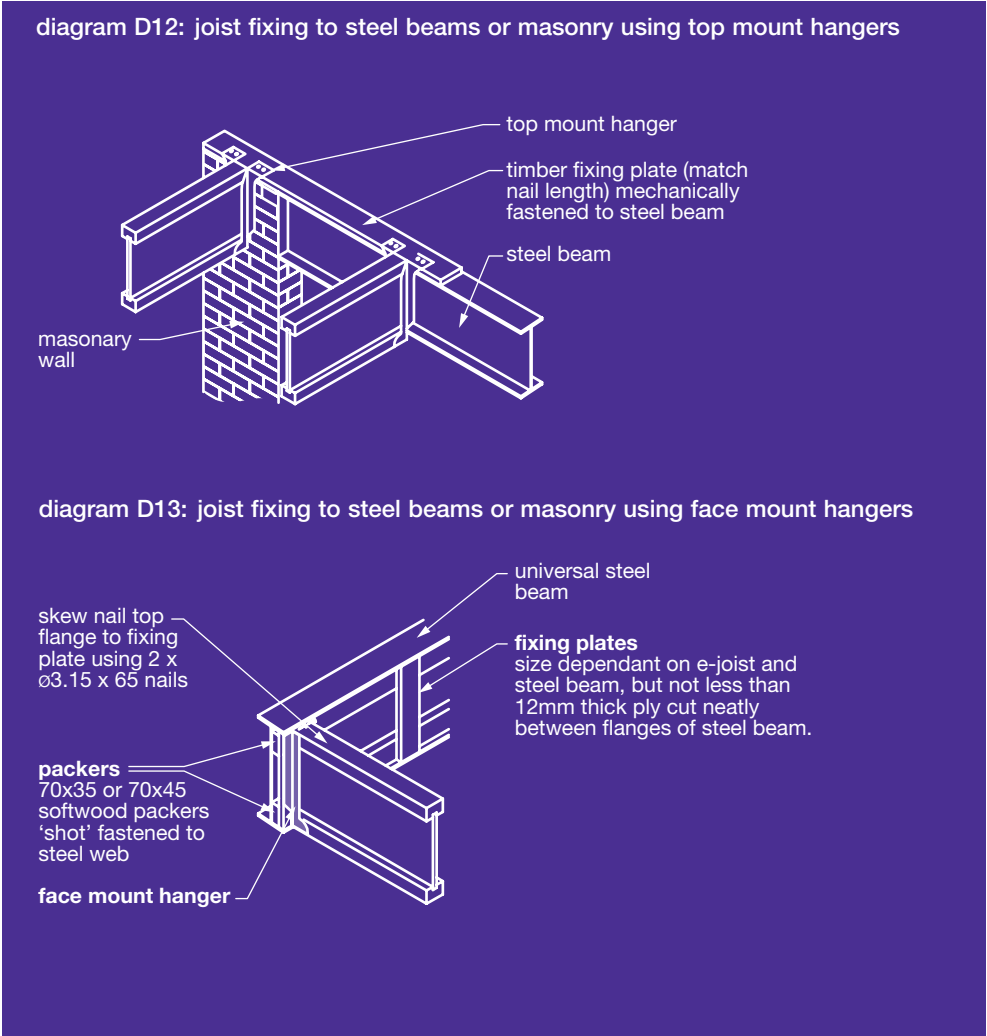
Pryda I-Joist Hanger Guide

e-joint	Face Mount Hanger			Top Mount Hanger		
	Hanger Code	Fasteners		Hanger Code	Fasteners	
		Joist Screw	Face Nails to Bearer		Joist Screw	Face Nails to Bearer
ej20045	LF190/50	1	8	LT200/50	1	6
ej20063	LF200/65	1	8	LT200/65	1	6
ej20090	LF190/90	1	8	LT200/90	1	6
ej24045	LF235/50	1	10	LT240/50	1	6
ej24063	LF235/65	1	10	LT240/65	1	6
ej24090	LF235/90	1	10	LT240/90	1	6
ej24545	LF235/50	1	10	LT245/50	1	6
ej24563	LF235/65	1	10	LT245/65	1	6
ej24590	LF235/90	1	10	LT245/90	1	6
ej30045	LF297/50	1	12	LT300/47	1	6
ej30063	LF290/65	1	12	LT302/65	1	6
ej30090	LF290/90	1	12	LT300/90	1	6
ej36063	LF340/65	1	14	LT360/65	1	6
ej36090	LF350/90	1	14	LT360/90	1	6

e-joint Installation Details

Joist Fixing to Steel Beams or Masonry

For hanger code and fastener requirements refer to Hanger Guide Tables.

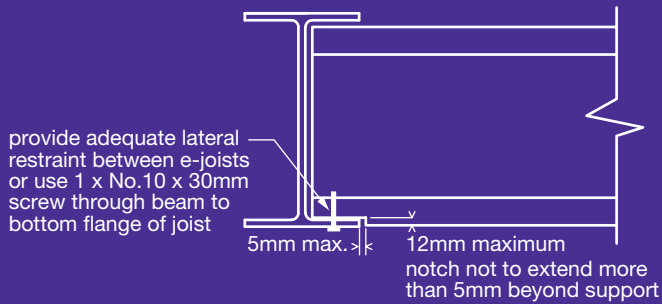


e-joint Installation Details

Flange Notching

Bottom and/or top flanges can be notched to a max of 12mm.
DO NOT OVERCUT.

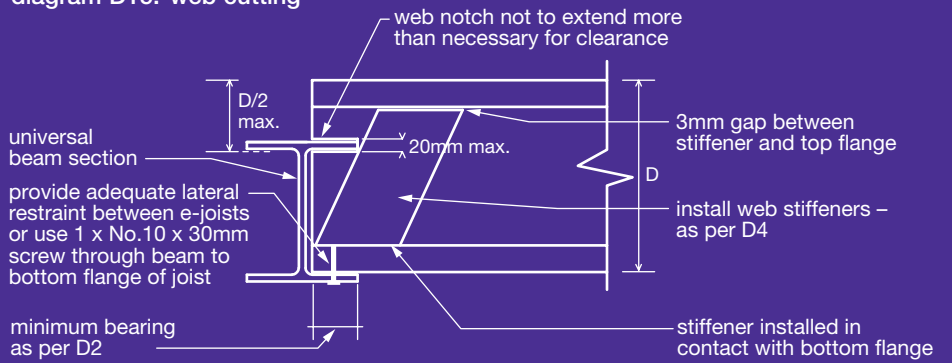
diagram D14: flange notching



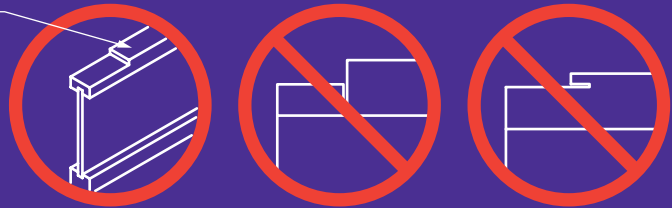
Web Cutting

e-joint webs can be cut to accommodate the top flange of a steel beam provided web stiffeners are installed in contact with bottom flange and fixed as per diagram D4.

diagram D15: web cutting



do not overcut



do not chamfer beyond support

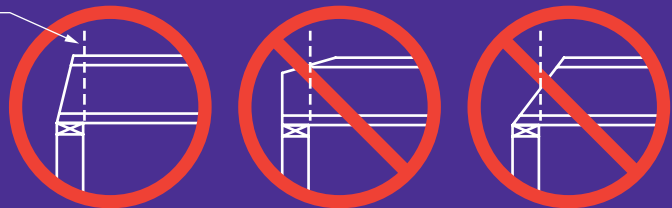
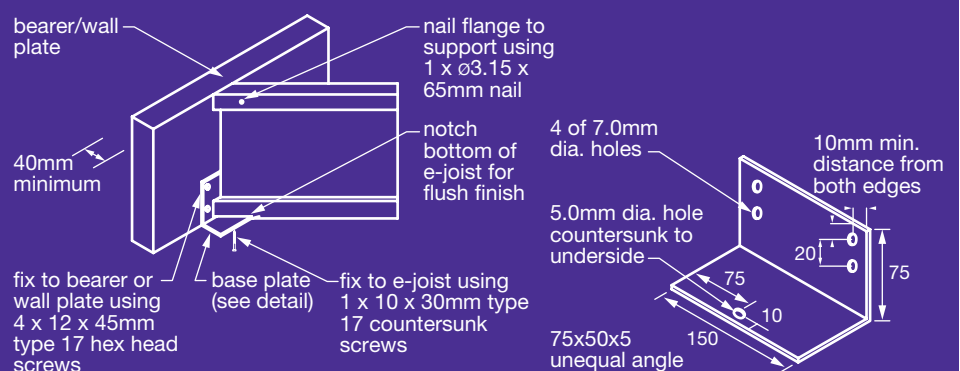


diagram D16: skewed joist support fixing



Note:

Propriety skewed angle support brackets are available from MiTek and Pryda.

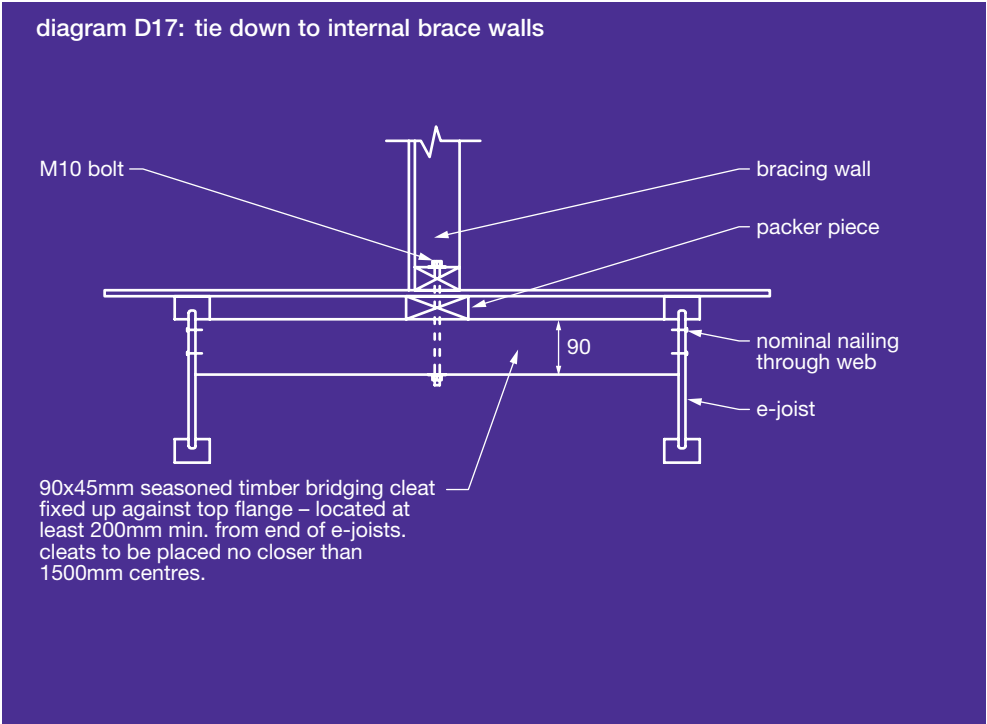
e-joint Installation Details

Bracing and Tie Down

All bracing and tie down to be designed in accordance with AS1684.

Tie Down

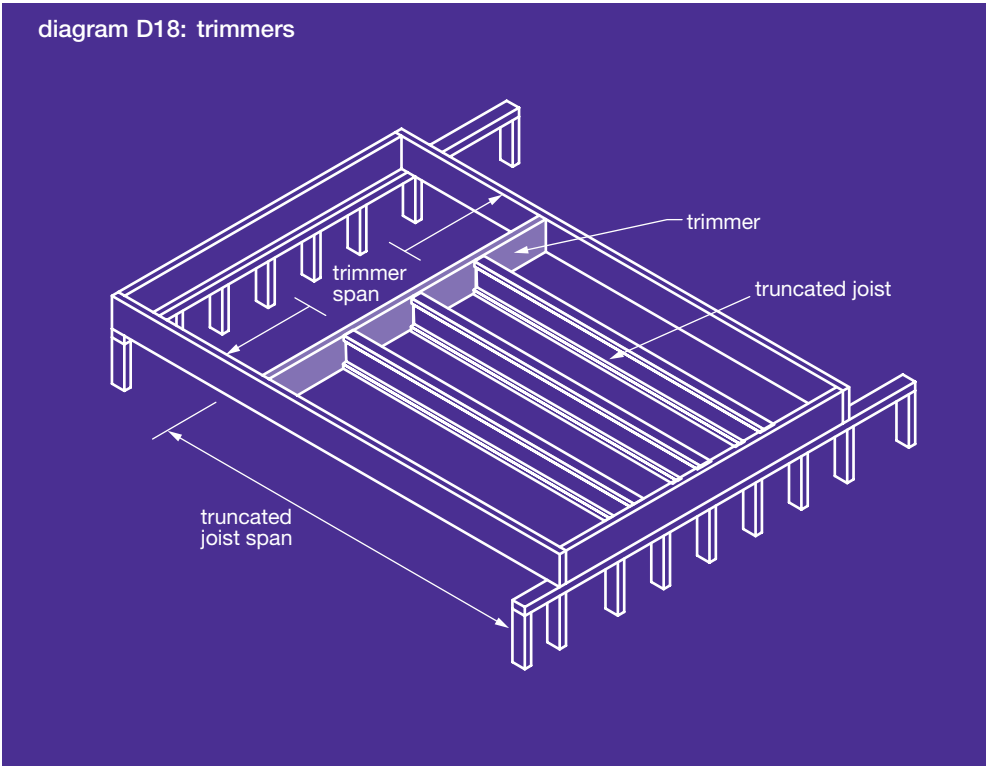
Typical Tie Down connection details used with solid timber joists (refer AS1684) can also be used with e-joists except that **bolting through flanges is not permitted.**



Openings in Floors

Trimmer

Trimmers provide support to truncated joists (common joists that are truncated to form the opening). They are designed to support typical domestic floor loads and frame one side of an opening.



Trimmers supporting truncated joists

e-beam Section d x b	Truncated joist span (m)				
	1.8	2.4	3.6	4.8	6.0
	Maximum Trimmer Span (m)				
200 x 35	3.4	3.1	2.7	2.5	2.3
200 x 45	3.7	3.3	2.9	2.6	2.4
200 x 63	4.1	3.7	3.2	2.9	2.7
240 x 35	4.1	3.7	3.2	2.9	2.7
240 x 45	4.3	4.0	3.5	3.2	2.9
245 x 45	4.4	4.1	3.6	3.3	3.0
240 x 63	4.7	4.4	3.9	3.5	3.3
300 x 45	5.1	4.8	4.3	3.9	3.7
300 x 63	5.6	5.2	4.7	4.4	4.1
360 x 45	5.9	5.5	4.9	4.6	4.3
360 x 63	6.4	5.9	5.4	5.0	4.7

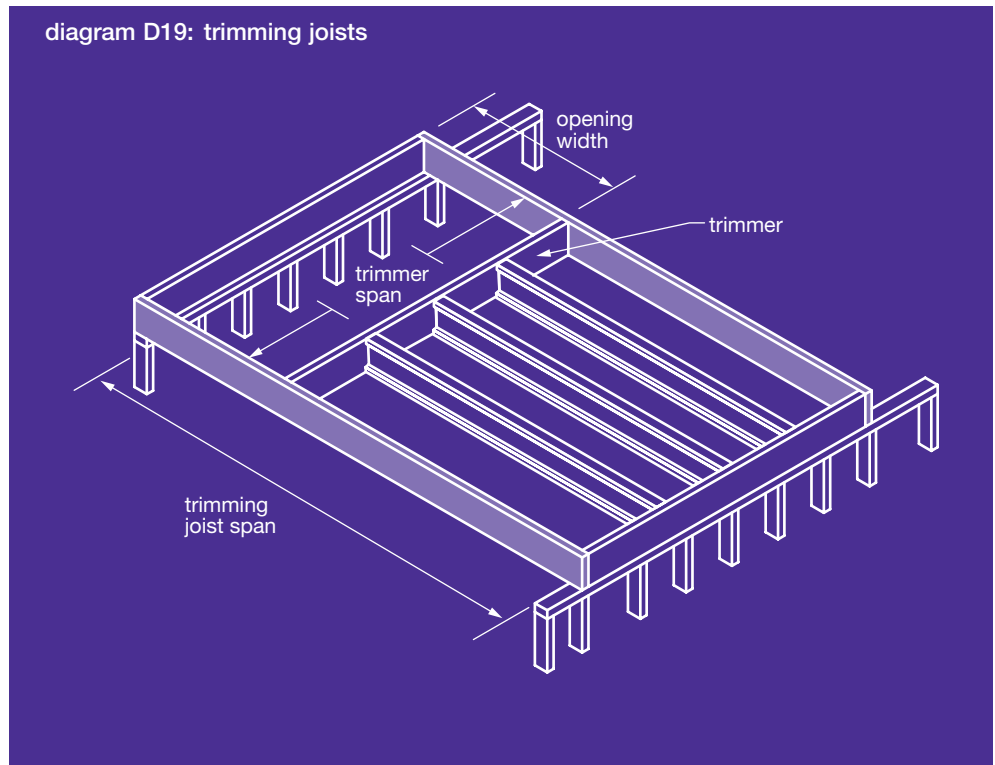
Note:

The Table assumes permanent floor self-weight of 40kg/m². For higher permanent floor loads use the e-house software package to determine Trimmer spans. The floor live load is 1.5kPa (~150kg/m²). One third of the floor live load is considered a permanent live load (PLL).

Openings in Floors

Trimming Joists

Trimming joists provide support to both the staircase (point load applied from a single stair stringer) as well as the trimmer (point load applied from the truncated joists floor load).



Trimming Joists supporting trimmers

e-beam Section d x b	0.9 metre opening width				1.8 metre opening width				2.7 metre opening width			
	Trimmer Span (m)				Trimmer Span (m)				Trimmer Span (m)			
	2.0	3.0	4.0	5.0	2.0	3.0	4.0	5.0	2.0	3.0	4.0	5.0
	Maximum Trimming Joist Spans (m)											
200 x 35	3.1	2.9	2.7	2.5	3.0	2.8	2.7	2.6	3.3	3.2	3.1	3.0
200 x 45	3.4	3.1	2.9	2.7	3.2	3.0	2.8	2.7	3.5	3.3	3.2	3.2
200 x 63	3.8	3.5	3.3	3.1	3.6	3.3	3.1	3.0	3.7	3.6	3.4	3.3
2/200 x 35	4.0	3.7	3.5	3.3	3.7	3.4	3.2	3.1	3.9	3.7	3.5	3.4
2/200 x 45	4.3	4.0	3.8	3.6	4.0	3.7	3.5	3.3	4.1	3.9	3.7	3.6
240 x 35	3.8	3.5	3.3	3.1	3.6	3.3	3.1	3.0	3.7	3.6	3.4	3.3
240 x 45	4.1	3.8	3.6	3.4	3.8	3.5	3.3	3.2	4.0	3.8	3.6	3.5
245 x 45	4.2	3.9	3.7	3.5	3.9	3.6	3.4	3.2	4.0	3.8	3.6	3.5
240 x 63	4.5	4.3	4.1	3.9	4.2	3.9	3.7	3.5	4.3	4.1	3.9	3.7
2/240 x 35	4.7	4.4	4.2	4.1	4.4	4.1	3.9	3.7	4.4	4.2	4.0	3.9
2/240 x 45	5.0	4.7	4.5	4.3	4.7	4.4	4.1	3.9	4.6	4.4	4.2	4.1
2/245 x 45	5.0	4.7	4.5	4.3	4.7	4.4	4.1	3.9	4.6	4.4	4.2	4.1
300 x 45	5.0	4.7	4.5	4.3	4.6	4.3	4.1	3.9	4.6	4.4	4.2	4.0
300 x 63	5.4	5.2	5.0	4.8	5.1	4.7	4.5	4.3	5.0	4.7	4.5	4.3
2/300 x 45	6.0	5.7	5.5	5.3	5.6	5.2	5.0	4.7	5.5	5.1	4.9	4.7
360 x 45	5.8	5.5	5.3	5.1	5.4	5.0	4.8	4.6	5.2	4.9	4.7	4.5
360 x 63	6.3	6.0	5.8	5.6	5.9	5.5	5.2	5.0	5.7	5.4	5.1	4.9
2/360 x 45	6.9	6.6	6.4	6.2	6.5	6.1	5.8	5.5	6.3	5.9	5.6	5.4
400 x 75	7.2	6.9	6.7	6.4	6.7	6.3	6.0	5.8	6.5	6.1	5.8	5.5

Note:

1. All double members to be nail laminated as per AS1684.
2. The Table assumes permanent floor self-weight of 40kg/m². For higher permanent floor loads use the e-house software package to determine Trimmer spans. The floor live load is 1.5kPa (~150kg/m²). One third of the floor live load is considered a permanent live load (PLL).

Cantilevers for Balconies (Non-Load Bearing)

When installing cantilevered joists to form balconies, attention to detail must be given to ensure that water does not find its way into the structure from water ponding on the surface or wind driven rain. For these reasons, a step down onto the balcony is preferred. This allows the installation of appropriate flashing and a water proofed surface (if desired) to protect joists.

Backer Block Thickness

e-joint Flange width	Backer Block
45	17mm
63	27mm
90	40mm

diagram D20: cantilevered non-load bearing balcony detail - adjacent joist

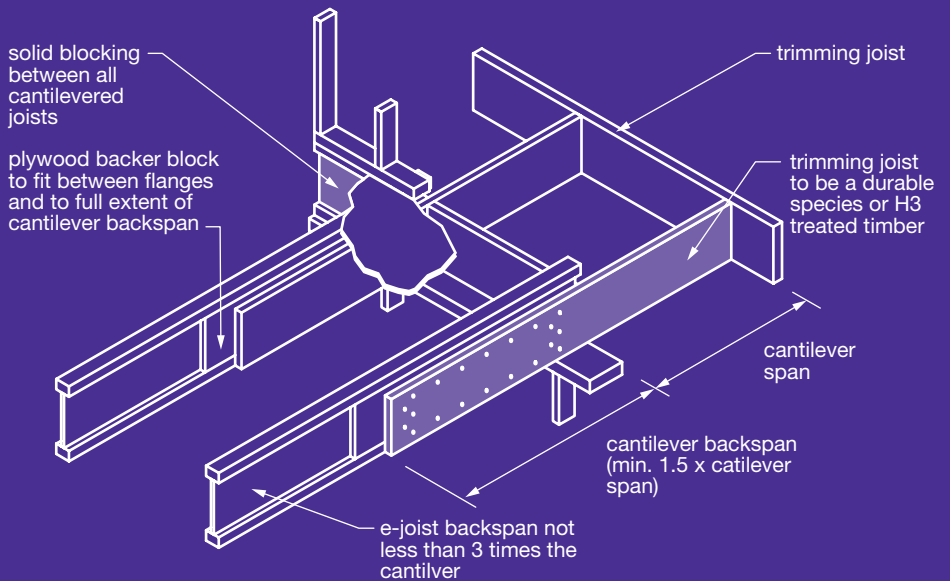


diagram D21: cantilevered balcony fixing - adjacent joist

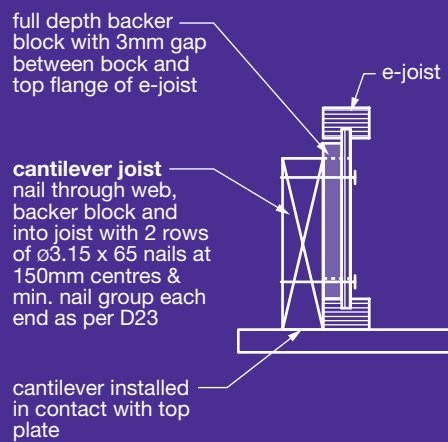


diagram D22: cantilevered balcony flashing

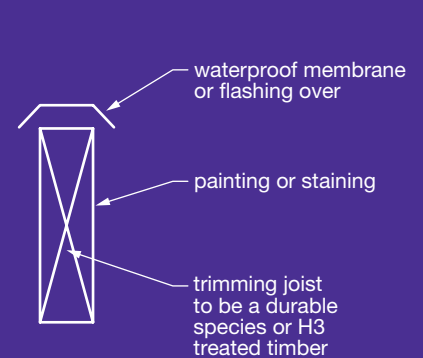
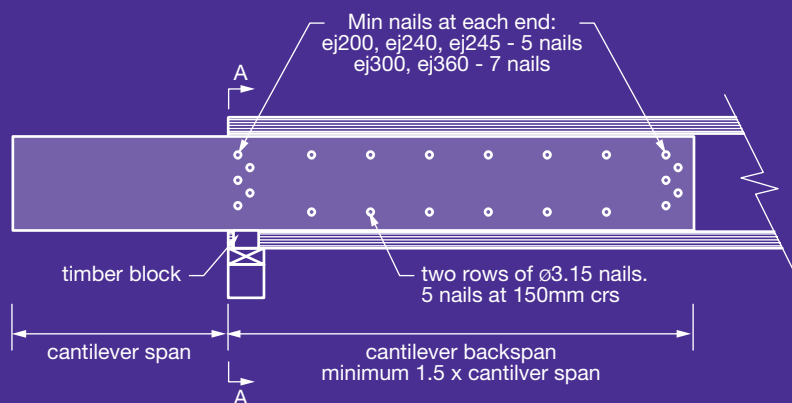
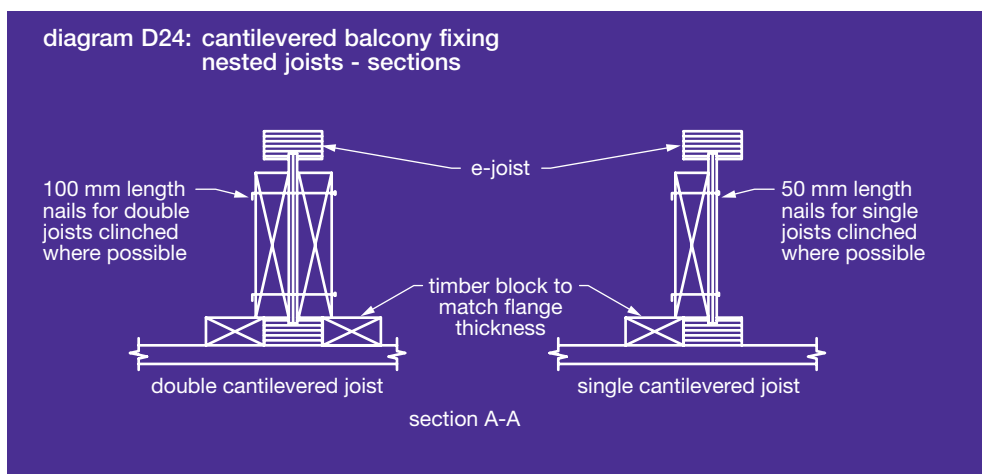


diagram D23: cantilevered balcony fixing nested joist - elevation



Cantilevers for Balconies (Non-Load Bearing)



e-joist Section Code	e-joist Spacing (mm)	Maximum Balcony Cantilever (m)	Cantilever Joist Options	
			Nested Cantilevered Joist	Adjacent Cantilevered Joist
ej20045	450	1.0	2/120 x 35 MGP12	140 x 45 MGP12
ej20063	450	0.9	2/120 x 35 F7	140 x 45 F7
ej20090	600	0.9	2/120 x 35 MGP12	140 x 45 MGP12
ej24045	450	1.2	2/140 x 45 MGP12	190 x 35 MGP12
ej24545	450	1.1	2/140 x 45 F7	190 x 45 F7
	600	1.0	2/140 x 45 F7	190 x 45 F7
ej24063	450	1.2	2/140 x 45 F7	190 x 45 F7
ej24563	600	1.1	2/140 x 35 MGP12	190 x 45 F7
ej24090	450	1.3	2/140 x 35 MGP12	Not recommended
ej24590	600	1.2	2/140 x 35 MGP12	
ej30045	450	1.4	2/190 x 35 F7	240 x 35 F7
	600	1.3	2/190 x 45 F7	240 x 45 F7
ej30063	450	1.5	2/190 x 45 F7	240 x 45 F7
	600	1.3	2/190 x 35 F7	240 x 35 F7
ej30090	450	1.6	2/190 x 45 F7	Not recommended
	600	1.5	2/190 x 45 F7	
ej36063	450	1.7	2/240 x 35 F7	290 x 45 F7
	600	1.6	240 x 45 F7	290 x 45 F7
ej36090	450	1.8	240 x 35 F7	Not recommended
	600	1.7	2/240 x 45 F7	

Note:

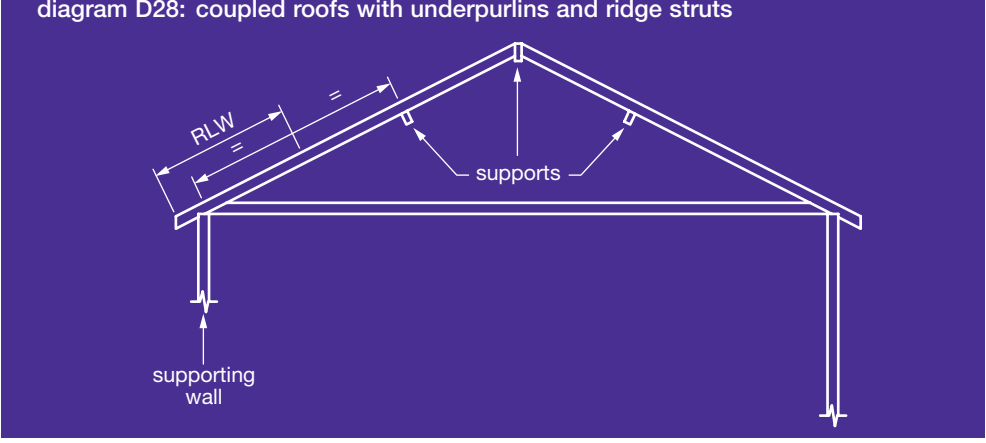
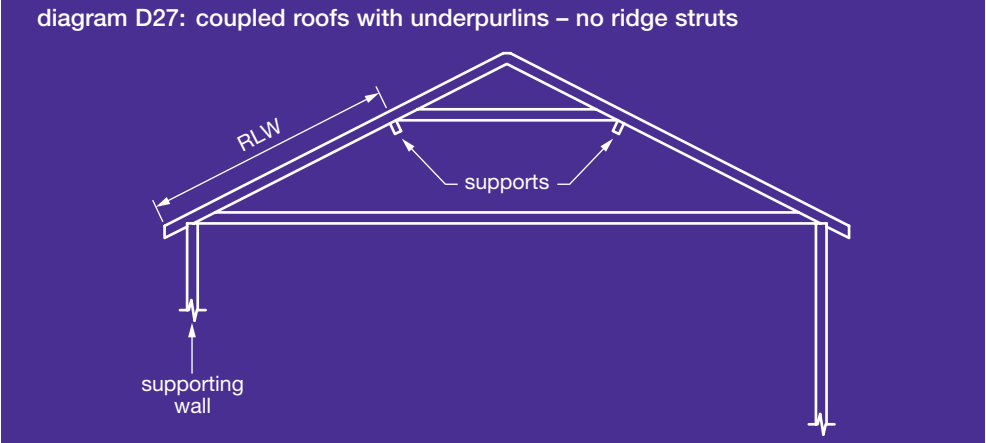
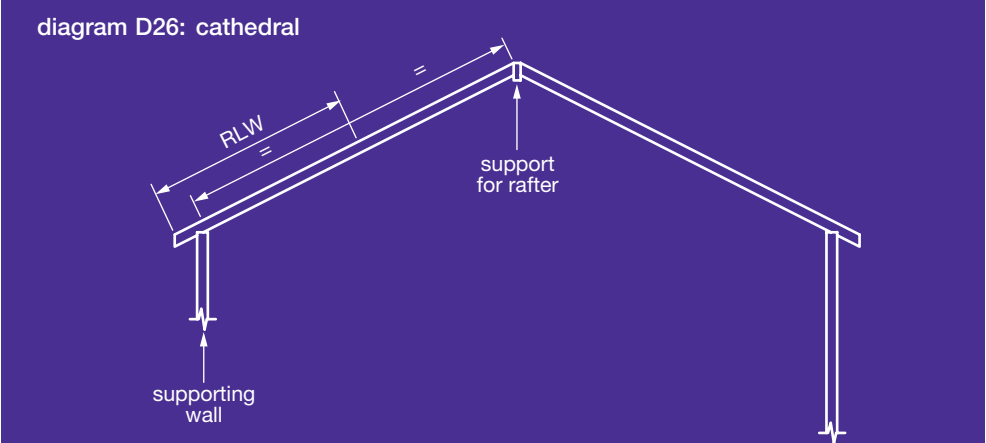
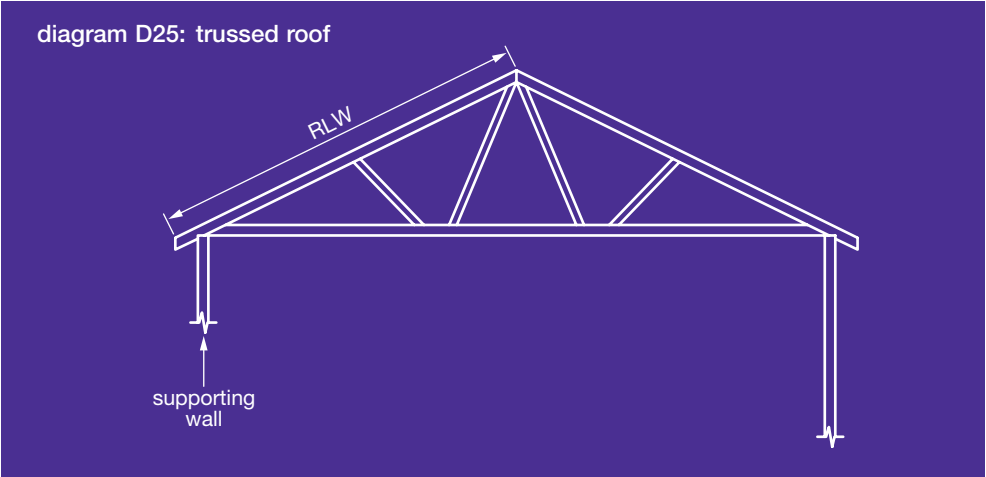
The Table assumes permanent floor self-weight of 40kg/m². For higher permanent floor loads use the e-house software package to determine Cantilever spans. The floor live load is 1.5kPa (~150kg/m²). One third of the floor live load is considered a permanent live load (PLL).

Determination of Roof Load Width (RLW)

Roof Load Width (RLW) is used as an indicator of the roof loads carried by loadbearing wall members and their supporting sub-structure. The following diagrams illustrate the RLWs for typical roof construction. Note: The RLW also includes the overhang length.

Trussed Roof

Conventional / Pitched Roof

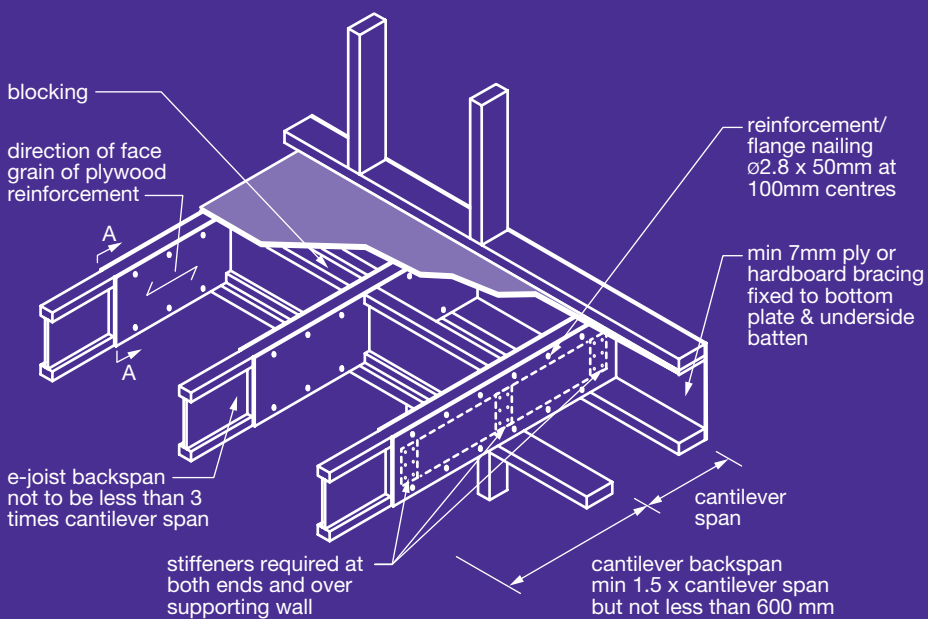


Load Bearing Cantilevers

(Supporting Roof, Wall and Floor Loads)

In some instances, e-joists may cantilever to support an external loadbearing wall. It may be necessary to “reinforce” the cantilever to support the applied load. The tables on the following pages indicate the maximum allowable cantilever based on the applied roof mass, RLW and joist spacing. The required reinforcement must be installed to support the loading.

diagram D29: load bearing cantilever detail

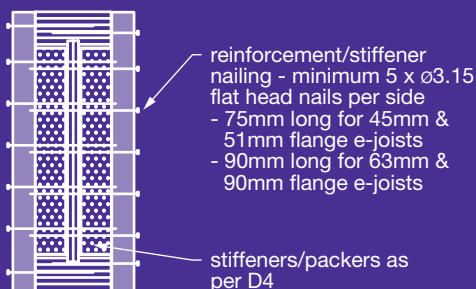
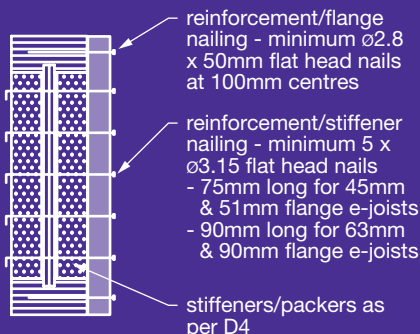


Required Reinforcement:

R0 Reinforcement not required

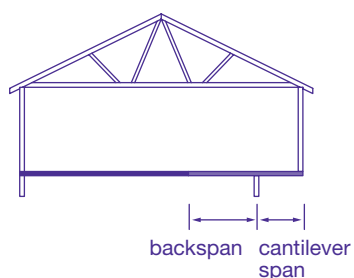
R1 Full depth 15mm F11 structural plywood nailed to one side of each joist. Fix plywood to flange with $\phi 2.8 \times 50\text{mm}$ galv. nails at 100mm centres.

R2 Full depth 15mm F11 structural plywood nailed to both sides of each joist. Fix plywood to flange with $\phi 2.8 \times 50\text{mm}$ galv. nails at 100mm centres.



section A-A

Load Bearing Cantilevers Supporting Sheet Roof



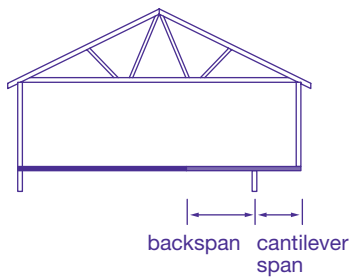
- R0** reinforcement not required.
R1 reinforcement on one side with 15mm F11 structural plywood with face grain running horizontally, nail fixed as specified.
R2 reinforcement on both sides with 15mm F11 structural plywood with face grain running horizontally, nail fixed as specified.
NS signifies the joist size is not suitable for the cantilever span and load.

Notes

1. Tabulated figures assume a uniform roof load width. Joist supporting concentrated loads from window openings and the like will require special engineering consideration.
2. Installation requires insertion of stiffeners between the 15mm reinforcing plywood and the web at both ends and the supporting point.
3. Ply reinforcement to be nailed to stiffeners and web and clinched if singly reinforced or penetrating the stiffener on the other side if doubly reinforced. A minimum of 5 nails per side.
4. Reinforcement plywood to extend along the back span at least 1.5 x cantilever span but not less than 600mm.
5. e-joint backspan to be not less than 3 times the cantilever span.

Maximum Cantilever Span (mm)	e-joint Section Code	Roof Load Width (m)									
		4.0			6.0			8.0			
		Joist Spacing (mm)									
		300	450	600	300	450	600	300	450	600	
300	ej20045	R0	R0	R0	R0	R0	R0	R0	R0	R0	R1
	ej20063	R0	R0	R0	R0	R0	R0	R0	R0	R0	R1
	ej20090	R0	R0	R0	R0	R0	R0	R0	R0	R0	R1
	ej24045	R0	R0	R0	R0	R0	R0	R0	R0	R0	R0
	ej24063	R0	R0	R0	R0	R0	R0	R0	R0	R0	R0
	ej24090	R0	R0	R0	R0	R0	R0	R0	R0	R0	R0
	ej24545	R0	R0	R0	R0	R0	R0	R0	R0	R0	R0
	ej24563	R0	R0	R0	R0	R0	R0	R0	R0	R0	R0
	ej24590	R0	R0	R0	R0	R0	R0	R0	R0	R0	R0
	ej30045	R0	R0	R0	R0	R0	R0	R0	R0	R0	R0
	ej30063	R0	R0	R0	R0	R0	R0	R0	R0	R0	R0
	ej30090	R0	R0	R0	R0	R0	R0	R0	R0	R0	R0
600	ej20045	R0	R0	R0	R0	R0	R0	R0	R0	R1	R2
	ej20063	R0	R0	R0	R0	R0	R0	R0	R0	R1	R2
	ej20090	R0	R0	R0	R0	R0	R0	R0	R0	R1	R2
	ej24045	R0	R0	R0	R0	R0	R0	R0	R0	R0	R0
	ej24063	R0	R0	R0	R0	R0	R0	R0	R0	R0	R0
	ej24090	R0	R0	R0	R0	R0	R0	R0	R0	R0	R0
	ej24545	R0	R0	R0	R0	R0	R0	R0	R0	R0	R0
	ej24563	R0	R0	R0	R0	R0	R0	R0	R0	R0	R0
	ej24590	R0	R0	R0	R0	R0	R0	R0	R0	R0	R0
	ej30045	R0	R0	R0	R0	R0	R0	R0	R0	R0	R0
	ej30063	R0	R0	R0	R0	R0	R0	R0	R0	R0	R0
	ej30090	R0	R0	R0	R0	R0	R0	R0	R0	R0	R0
900	ej20045	R0	R1	NS	R0	NS	NS	R1	NS	NS	
	ej20063	R0	R1	NS	R0	NS	NS	R1	NS	NS	
	ej20090	R0	R1	NS	R0	NS	NS	R1	NS	NS	
	ej24045	R0	R0	R0	R0	R0	R2	R0	R2	NS	
	ej24063	R0	R0	R0	R0	R0	R2	R0	R0	R2	
	ej24090	R0	R0	R0	R0	R0	R2	R0	R0	R0	
	ej24545	R0	R0	R0	R0	R0	R2	R0	R2	NS	
	ej24563	R0	R0	R0	R0	R0	R2	R0	R0	R2	
	ej24590	R0	R0	R0	R0	R0	R2	R0	R0	R0	
	ej30045	R0	R0	R0	R0	R0	R0	R0	R0	R1	
	ej30063	R0	R0	R0	R0	R0	R0	R0	R0	R0	
	ej30090	R0	R0	R0	R0	R0	R0	R0	R0	R0	
1200	ej20045	R2	NS	NS	NS	NS	NS	NS	NS	NS	
	ej20063	R2	NS	NS	NS	NS	NS	NS	NS	NS	
	ej20090	R1	NS	NS	NS	NS	NS	NS	NS	NS	
	ej24045	R0	NS	NS	R1	NS	NS	NS	NS	NS	
	ej24063	R0	R0	NS	R0	NS	NS	R2	NS	NS	
	ej24090	R0	R0	R0	R0	R0	R2	R0	R2	NS	
	ej24545	R0	NS	NS	R1	NS	NS	NS	NS	NS	
	ej24563	R0	R0	NS	R0	NS	NS	R2	NS	NS	
	ej24590	R0	R0	R0	R0	R0	R2	R0	R2	NS	
	ej30045	R0	R0	R1	R0	R1	NS	R0	NS	NS	
	ej30063	R0	R0	R0	R0	R0	R1	R0	R1	NS	
	ej30090	R0	R0	R0	R0	R0	R0	R0	R0	R1	
ej36063	R0	R0	R0	R0	R0	R0	R0	R0	R1		
ej36090	R0	R0	R0	R0	R0	R0	R0	R0	R0		

Load Bearing Cantilevers Supporting Tile Roof



- R0** reinforcement not required.
R1 reinforcement on one side with 15mm F11 structural plywood with face grain running horizontally, nail fixed as specified.
R2 reinforcement on both sides with 15mm F11 structural plywood with face grain running horizontally, nail fixed as specified.
NS signifies the joist size is not suitable for the cantilever span and load.

Notes

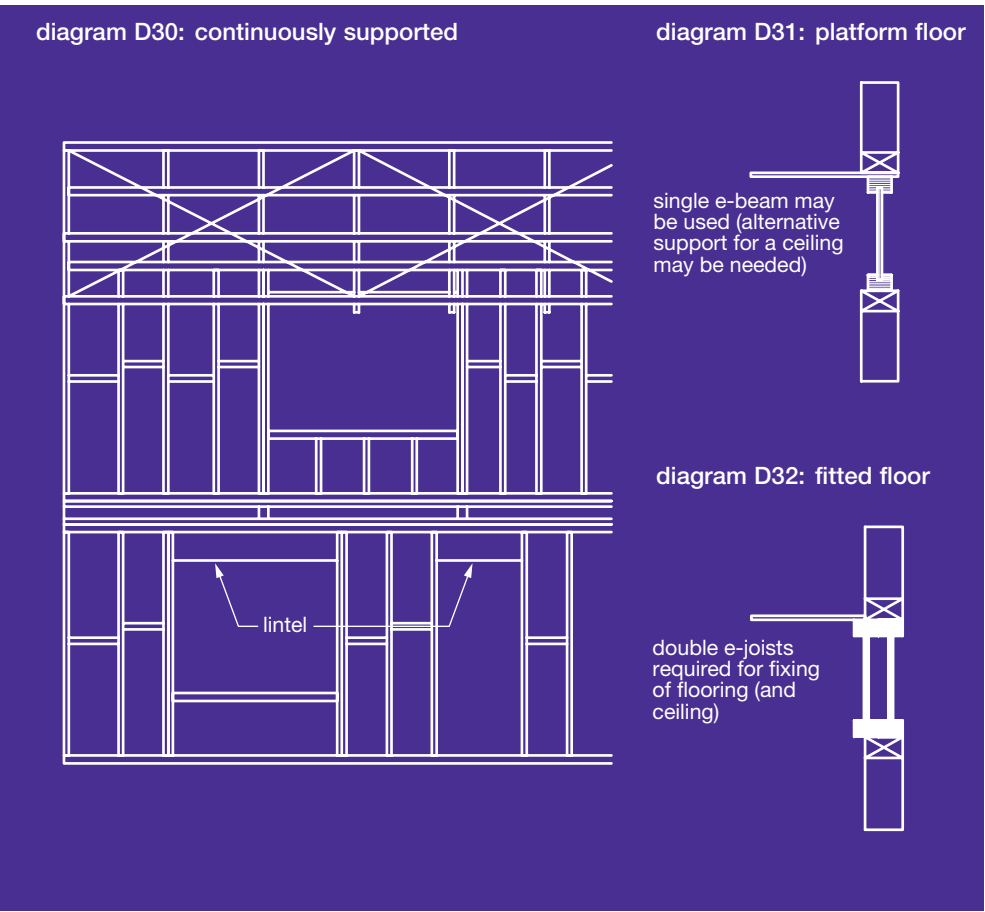
1. Tabulated figures assume a uniform roof load width. Joist supporting concentrated loads from window openings and the like will require special engineering consideration.
2. Installation requires insertion of stiffeners between the 15mm reinforcing plywood and the web at both ends and the supporting point.
3. Ply reinforcement to be nailed to stiffeners and web and clinched if singly reinforced or penetrating the stiffener on the other side if doubly reinforced. A minimum of 5 nails per side.
4. Reinforcement plywood to extend along the back span at least 1.5 x cantilever span but not less than 600mm.
5. e-joint backspan to be not less than 3 times the cantilever span.

Maximum Cantilever Span (mm)	e-joint Section Code	Roof Load Width (m)								
		4.0			6.0			8.0		
		Joist Spacing (mm)								
		300	450	600	300	450	600	300	450	600
Reinforcement requirement										
300	ej20045	R0	R0	R0	R0	R1	R1	R1	R1	R2
	ej20063	R0	R0	R0	R0	R1	R1	R1	R1	R2
	ej20090	R0	R0	R0	R0	R1	R1	R1	R1	R2
	ej24045	R0	R0	R0	R0	R0	R1	R0	R1	R1
	ej24063	R0	R0	R0	R0	R0	R1	R0	R1	R1
	ej24090	R0	R0	R0	R0	R0	R1	R0	R1	R1
	ej24545	R0	R0	R0	R0	R0	R1	R0	R1	R1
	ej24563	R0	R0	R0	R0	R0	R1	R0	R1	R1
	ej24590	R0	R0	R0	R0	R0	R1	R0	R1	R1
	ej30045	R0	R0	R0	R0	R0	R0	R0	R0	R1
	ej30063	R0	R0	R0	R0	R0	R0	R0	R0	R1
	ej30090	R0	R0	R0	R0	R0	R0	R0	R0	R1
600	ej36063	R0	R0	R0	R0	R0	R0	R0	R0	R0
	ej36090	R0	R0	R0	R0	R0	R0	R0	R0	R0
	ej20045	R0	R1	NS	R1	NS	NS	NS	NS	NS
	ej20063	R0	R1	NS	R1	NS	NS	NS	NS	NS
	ej20090	R0	R1	NS	R1	NS	NS	NS	NS	NS
	ej24045	R0	NS	NS	R0	R1	NS	R1	NS	NS
	ej24063	R0	R0	R0	R0	R0	R1	R0	R2	NS
	ej24090	R0	R0	R0	R0	R0	R1	R0	R1	R2
	ej24545	R0	NS	NS	R0	R1	NS	R1	NS	NS
	ej24563	R0	R0	R0	R0	R0	R1	R0	R2	NS
	ej24590	R0	R0	R0	R0	R0	R1	R0	R1	R2
	ej30045	R0	R0	R0	R0	R0	R0	R0	R0	R0
900	ej30063	R0	R0	R0	R0	R0	R0	R0	R0	R0
	ej30090	R0	R0	R0	R0	R0	R0	R0	R0	R0
	ej36063	R0	R0	R0	R0	R0	R0	R0	R0	R0
	ej36090	R0	R0	R0	R0	R0	R0	R0	R0	R0
	ej20045	NS	NS	NS	NS	NS	NS	NS	NS	NS
	ej20063	NS	NS	NS	NS	NS	NS	NS	NS	NS
	ej20090	NS	NS	NS	NS	NS	NS	NS	NS	NS
	ej24045	R0	NS	NS	NS	NS	NS	NS	NS	NS
	ej24063	R0	R1	NS	R1	NS	NS	NS	NS	NS
	ej24090	R0	R0	R2	R0	R1	NS	R1	NS	NS
	ej24545	R0	NS	NS	NS	NS	NS	NS	NS	NS
	ej24563	R0	R1	NS	R1	NS	NS	NS	NS	NS
ej24590	R0	R0	R2	R0	R1	NS	R1	NS	NS	
1200	ej30045	R1	NS	NS	NS	NS	NS	NS	NS	NS
	ej30063	R0	NS	NS	NS	NS	NS	NS	NS	NS
	ej30090	R0	R0	R2	R0	NS	NS	R2	NS	NS
	ej36063	R0	R0	R2	R0	NS	NS	R2	R0	R0
	ej36090	R0	R0	R0	R0	R1	NS	R0	NS	NS
	ej20045	NS	NS	NS	NS	NS	NS	NS	NS	NS
	ej20063	NS	NS	NS	NS	NS	NS	NS	NS	NS
	ej20090	NS	NS	NS	NS	NS	NS	NS	NS	NS
	ej24045	NS	NS	NS	NS	NS	NS	NS	NS	NS
	ej24063	NS	NS	NS	NS	NS	NS	NS	NS	NS
	ej24090	R0	NS	NS	NS	NS	NS	NS	NS	NS
	ej24545	R0	NS	NS	NS	NS	NS	NS	NS	NS
ej24563	NS	NS	NS	NS	NS	NS	NS	NS	NS	
ej24590	R0	NS	NS	NS	NS	NS	NS	NS	NS	
ej30045	R0	NS	NS	NS	NS	NS	NS	NS	NS	
ej30063	R0	NS	NS	NS	NS	NS	NS	NS	NS	
ej30090	R0	R0	R2	R0	NS	NS	R2	NS	NS	
ej36063	R0	R0	R2	R0	NS	NS	R2	NS	NS	
ej36090	R0	R0	R0	R0	R1	NS	R0	NS	NS	

Floor Joists Supporting Parallel Load Bearing Walls

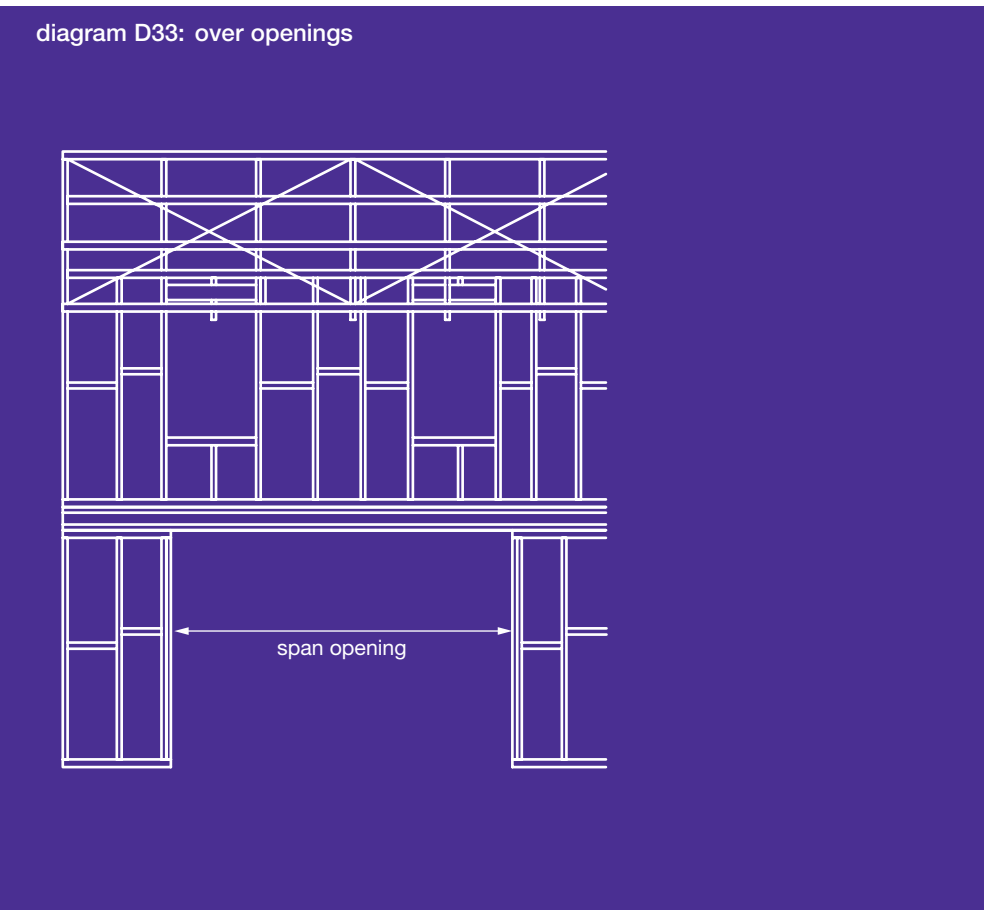
Continuously Supported

Continuously supported e-joists are capable of transferring uniformly distributed loads arising from parallel loadbearing walls through to the supporting structure below. Care must be taken to adequately support the web of the joists from concentrated point loads (as per D4).



Over Openings

e-joists spanning over openings supporting parallel loadbearing walls shall be designed in accordance with the span tables - e-joist Floor Joists Supporting Parallel Load Bearing Walls. For larger openings an e-beam may be required, and shall be designed in accordance with the span tables - e-beam Floor Joists Supporting Parallel Load Bearing Walls.



e-joint Floor Joists Supporting Parallel Load Bearing Walls

e-joint spanning over openings

e-joint	Wall Supporting Sheet Roof											
	Maximum Single Span ¹						Maximum Continuous Span ²					
	Roof Load Width (m)											
	1.8	2.4	3.6	4.8	6.0	7.2	1.8	2.4	3.6	4.8	6.0	7.2
	Span Opening (m) - see D33											
ej20045	2.7	2.6	2.3	2.0	1.7	1.5	2.9	2.5	2.0	1.6	1.3	1.2
2/ej20045	3.6	3.4	3.1	2.8	2.6	2.5	4.6	4.4	3.9	3.2	2.7	2.3
ej20063	3.0	2.9	2.5	2.1	1.7	1.5	2.9	2.5	2.0	1.6	1.3	1.2
ej24045	3.2	3.0	2.7	2.5	2.2	1.9	3.9	3.3	2.6	2.1	1.8	1.5
2/ej24045	4.1	3.9	3.5	3.3	3.1	2.9	5.1	4.9	4.5	4.2	3.5	3.1
ej24063	3.5	3.3	2.9	2.6	2.2	1.9	3.9	3.3	2.6	2.1	1.8	1.5
ej24545	3.2	3.0	2.7	2.5	2.2	1.9	3.9	3.3	2.6	2.1	1.8	1.5
2/ej24545	4.1	3.9	3.5	3.3	3.1	2.9	5.1	4.9	4.5	4.2	3.5	3.1
ej24563	3.5	3.3	2.9	2.6	2.2	1.9	3.9	3.3	2.6	2.1	1.8	1.5
ej30045	3.8	3.5	3.2	2.9	2.7 ₄₅	2.5 ₄₅	4.7	4.4	3.4	2.8	2.4	2.0
2/ej30045	4.8	4.6	4.2	3.9	3.6	3.4	5.1	4.8	4.4	4.2	4.0	3.7
ej30063	4.1	3.9	3.5	3.2 ₄₅	2.9 ₄₅	2.5 ₄₅	5.0	4.4	3.4	2.8	2.3	2.0
ej36063	4.7	4.5 ₄₅	4.0 ₄₅	3.7 ₆₅	3.4 ₆₅	3.0 ₆₅	5.5 ₁₁₀	5.1 ₁₃₀	3.9 ₁₃₀	3.2 ₁₃₀	2.7 ₁₃₀	2.4 ₁₃₀

e-joint	Wall Supporting Tile Roof											
	Maximum Single Span ¹						Maximum Continuous Span ²					
	Roof Load Width (m)											
	1.8	2.4	3.6	4.8	6.0	7.2	1.8	2.4	3.6	4.8	6.0	7.2
	Span Opening (m) - see D33											
ej20045	2.2	1.8	1.3	NS	NS	NS	1.8	1.5	NS	NS	NS	NS
2/ej20045	3.0	2.7	2.4	2.1	1.7	1.4	3.6	2.9	2.1	1.7	1.4	1.2
ej20063	2.3	1.8	1.3	NS	NS	NS	1.8	1.5	NS	NS	NS	NS
ej24045	2.6	2.4	1.7	1.4	NS	NS	2.4	1.9	1.4	NS	NS	NS
2/ej24045	3.4	3.1	2.8	2.5	2.2	1.9	4.4	3.8	2.8	2.2	1.8	1.5
ej24063	2.8	2.4	1.7	1.4	NS	NS	2.4	1.9	1.4	NS	NS	NS
ej24545	2.6	2.4	1.7	1.4	NS	NS	2.4	1.9	1.4	NS	NS	NS
2/ej24545	3.4	3.1	2.8	2.5	2.2	1.9	4.4	3.8	2.8	2.2	1.8	1.5
ej24563	2.8	2.4	1.7	1.4	NS	NS	2.4	1.9	1.4	NS	NS	NS
ej30045	3.1	2.8 ₄₅	2.3 ₄₅	1.8 ₄₅	1.5 ₄₅	1.3 ₄₅	3.1	2.5	1.9	1.5	1.2	NS
2/ej30045	4.1	3.7	3.3	3.0	2.7 ₄₅	2.5 ₄₅	4.3	4.1	3.6	2.9	2.4	2.0
ej30063	3.4 ₄₅	3.1 ₄₅	2.3 ₄₅	1.8 ₄₅	1.5 ₄₅	1.3 ₄₅	3.1	2.5	1.8	1.5	1.2	NS
ej36063	3.9 ₆₅	3.6 ₆₅	2.7 ₆₅	2.1 ₆₅	1.7 ₆₅	1.5 ₆₅	3.6 ₁₃₀	3.0 ₁₃₀	2.2 ₁₃₀	1.7 ₁₃₀	1.4 ₁₃₀	1.2 ₁₃₀

Notes:

1. For single span, end bearing not less than 35mm unless noted otherwise by a subscript. Subscript value 45 and 65 indicates bearing length, except if stiffeners are installed, bearing lengths may be reduced to 35mm and 45mm respectively.
2. For continuous span, end bearing shall not be less than 35mm. Bearing at intermediate supports shall not be less than 90mm unless indicated otherwise by a subscript. Where a subscript value indicates bearing at an intermediate support needs to be more than 90mm, an alternative is to install with 90mm bearing and web stiffeners at that support.
3. NS - Not Suitable.

e-beam Floor Joists Supporting Parallel Load Bearing Walls

e-beam spanning over openings

e-beam	Wall Supporting Sheet Roof											
	Maximum Single Span ¹						Maximum Continuous Span ²					
	Roof Load Width (m)											
	1.8	2.4	3.6	4.8	6.0	7.2	1.8	2.4	3.6	4.8	6.0	7.2
	Span Opening (m) - see D33											
200 x 45	3.3	3.1	2.9	2.7	2.5	2.4	4.4	4.2	3.8	3.6	3.4	3.2
200 x 63	3.6	3.5	3.2	3.0	2.8	2.7	4.8	4.6	4.3	4.0	3.8	3.6
2/200 x 45	4.1	3.9	3.6	3.3	3.2	3.0	5.2	5.0	4.7	4.5	4.2	4.1
2/200 x 63	4.5	4.3	4.0	3.7	3.5	3.4	5.6	5.4	5.1	4.9	4.7	4.5
240 x 45	3.9	3.7	3.4	3.2	3.0	2.9	5.0	4.9	4.6	4.3	4.1	3.9 ₇₅
240 x 63	4.3	4.1	3.8	3.6	3.4	3.2	5.5	5.3	5.0	4.7	4.5	4.3
2/240 x 45	4.8	4.6	4.3	4.0	3.8	3.6	5.9	5.7	5.4	5.1	4.9	4.8
2/240 x 63	5.1	5.0	4.7	4.4	4.2	4.0	6.4	6.2	5.8	5.6	5.3	5.2
245 x 45	4.0	3.8	3.5	3.2	3.0	2.9	5.1	5.0	4.7	4.4	4.1	3.9
245 x 63	4.4	4.2	3.9	3.6	3.4	3.2	5.6	5.4	5.1	4.8	4.5	4.3
2/245 x 45	4.9	4.7	4.4	4.1	3.8	3.6	6.0	5.8	5.5	5.2	5.0	4.9
2/245 x 63	5.2	5.1	4.8	4.5	4.2	4.0	6.5	6.3	5.9	5.7	5.4	5.2
300 x 45	4.8	4.6	4.3	4.0	3.8	3.6	6.0	5.7	5.4	5.1	4.9 ₈₅	4.7 ₉₅
300 x 63	5.2	5.0	4.7	4.5	4.2	4.0	6.4	6.2	5.8	5.6	5.3	5.2 ₇₅
2/300 x 45	5.6	5.4	5.1	4.9	4.7	4.5	7.0	6.7	6.3	6.1	5.8	5.6
2/300 x 63	6.0	5.8	5.5	5.2	5.0	4.9	7.5	7.2	6.8	6.5	6.3	6.1
360 x 45	5.5	5.3	4.9	4.7	4.5	4.3	6.8	6.6	6.2	5.8 ₈₅	5.4 ₁₀₀	5.1 ₁₁₀
360 x 63	5.9	5.7	5.4	5.1	4.9	4.7	7.3	7.1	6.7	6.4	6.1 ₇₅	5.9 ₈₅
2/360 x 45	6.4	6.2	5.8	5.6	5.3	5.2	8.0	7.7	7.2	6.9	6.6	6.4

e-beam	Wall Supporting Tile Roof											
	Maximum Single Span ¹						Maximum Continuous Span ²					
	Roof Load Width (m)											
	1.8	2.4	3.6	4.8	6.0	7.2	1.8	2.4	3.6	4.8	6.0	7.2
	Span Opening (m) - see D33											
200 x 45	2.8	2.6	2.3	2.2	2.0	1.9	3.7	3.5	3.1	2.9	2.7 ₁₀₀	2.5 ₁₀₀
200 x 63	3.1	2.9	2.6	2.4	2.3	2.1	4.2	3.9	3.5	3.2	3.0	2.9
2/200 x 45	3.5	3.3	2.9	2.7	2.5	2.4	4.6	4.4	3.9	3.6	3.4	3.2
2/200 x 63	3.9	3.6	3.3	3.0	2.8	2.7	5.0	4.8	4.4	4.0	3.8	3.6
240 x 45	3.3	3.1	2.8	2.6	2.4 ₄₀	2.3 ₄₅	4.5	4.2	3.8	3.5 ₁₀₀	3.2 ₁₁₅	3.0 ₁₂₅
240 x 63	3.7	3.5	3.1	2.9	2.7	2.6	4.9	4.6	4.2	3.9	3.6	3.4 ₁₀₀
2/240 x 45	4.2	3.9	3.5	3.2	3.0	2.9	5.3	5.0	4.7	4.3	4.1	3.9
2/240 x 63	4.6	4.3	3.9	3.6	3.4	3.2	5.7	5.4	5.0	4.8	4.5	4.3
245 x 45	3.4	3.2	2.9	2.7	2.4 ₄₀	2.3 ₄₅	4.6	4.3	3.9	3.6 ₁₀₀	3.2 ₁₁₅	3.0 ₁₂₅
245 x 63	3.8	3.6	3.2	3.0	2.8	2.6	5.0	4.7	4.3	4.0	3.6	3.4 ₁₀₀
2/245 x 45	4.3	4.0	3.6	3.3	3.0	2.9	5.4	5.1	4.8	4.4	4.1	3.9
2/245 x 63	4.7	4.4	4.0	3.7	3.4	3.2	5.8	5.5	5.1	4.9	4.6	4.3
300 x 45	4.2	3.9	3.5	3.2	3.0 ₅₀	2.9 ₅₅	5.3	5.0	4.5 ₁₀₅	4.0 ₁₂₀	3.8 ₁₄₀	3.5 ₁₆₀
300 x 63	4.6	4.3	3.9	3.6	3.4 ₄₀	3.2 ₄₅	5.7	5.4	5.0	4.7 ₁₀₀	4.5 ₁₁₅	4.3 ₁₃₅
2/300 x 45	5.0	4.8	4.4	4.0	3.8	3.6	6.2	5.9	5.5	5.2	4.9	4.6 ₉₅
2/300 x 63	5.4	5.1	4.8	4.5	4.2	4.0	6.7	6.4	5.9	5.6	5.4	5.1
360 x 45	4.9	4.6	4.2	3.9	3.6 ₅₅	3.4 ₆₅	6.0	5.6 ₁₀₀	5.0 ₁₂₀	4.5 ₁₄₀	4.2 ₁₆₀	3.9 ₁₇₅
360 x 63	5.3	5.0	4.6	4.3	4.1 ₄₅	3.8 ₅₀	6.5	6.2	5.8 ₁₀₀	5.4 ₁₁₅	5.2 ₁₄₀	5.0 ₁₆₀
2/360 x 45	5.7	5.4	5.0	4.8	4.5	4.3 ₄₀	7.1	6.8	6.3	5.9	5.5 ₁₀₀	5.1 ₁₁₀

Notes:

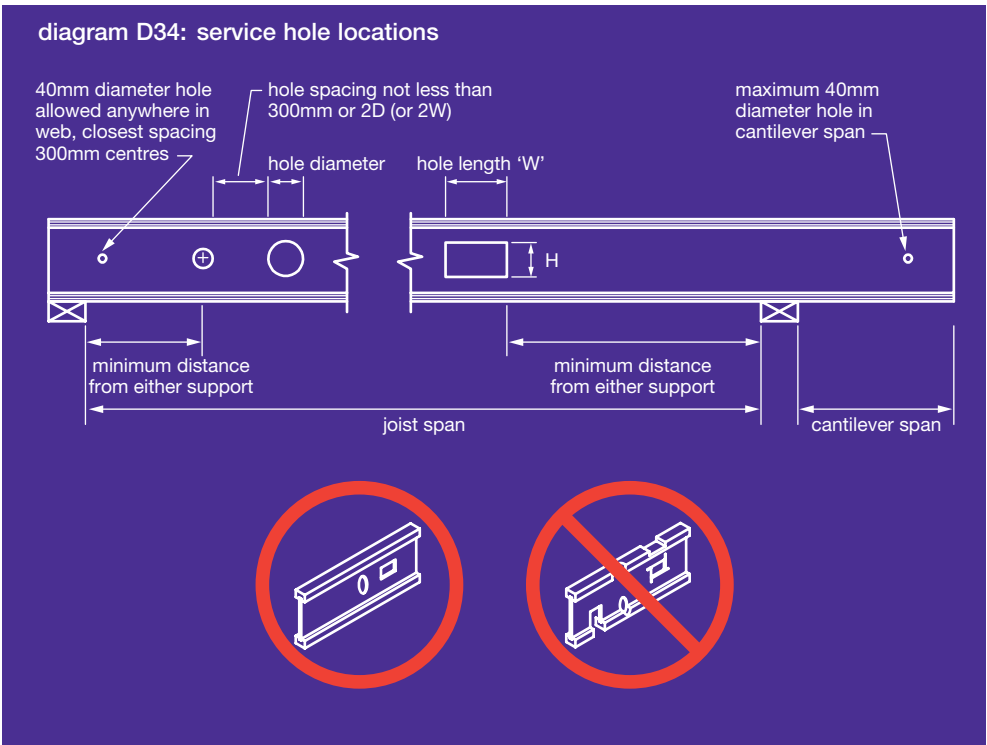
1. For single span, bearing shall not be less than 35mm at end supports except where indicated otherwise by a subscript.
2. For continuous span, bearing shall not be less than 35mm at end supports and 90mm at intermediate supports unless indicated otherwise by a subscript. The subscript value indicates the required bearing at the intermediate support and where this is greater than 100mm, the bearing at the corresponding end supports shall not be less than one third the subscript value.

Services Hole Guide

Holes for the installation of ducts, service pipes and electrical conduits may be cut through e-joint webs as per the following limitations on their locations.

Notes:

1. In general larger holes should be positioned closer to mid-span.
2. Minimum spacing between holes must be at least 300mm or twice the diameter or length of the largest opening.
3. 40mm diameter holes can be drilled anywhere within the web provided they are a minimum of 300mm centers apart.
4. Maximum of three holes per span – holes less than 75mm can be excluded from this total.
5. It is recommended that the position of square, rectangular and round holes be at the mid-height of the joist. The minimum edge clearance from the top and bottom LVL flange is 5mm.
6. All holes to be cut carefully – do not overcut.
7. Do not cut, notch, plane or drill into flanges (other than as per D14 for support locations only).
8. Web hole locations can be interpolated for intermediate spans.



Services Hole Guide

Floor Joist Applications in Domestic Residences ONLY

e-joist Section Code	Installed Span	Circular or Square Holes						
		ø75	ø100	ø125	ø150	ø175	ø200	ø250
		Minimum distance from support – external or internal						
ej20045	3.0	0.30	0.30	0.51	NS	NS	NS	NS
	4.0	0.30	0.41	1.01	NS	NS	NS	NS
	5.0	0.30	0.91	1.51	NS	NS	NS	NS
ej20063	3.0	0.30	0.30	0.51	NS	NS	NS	NS
	4.0	0.30	0.41	1.01	NS	NS	NS	NS
	5.0	0.30	0.91	1.51	NS	NS	NS	NS
ej20090	3.5	0.30	0.30	0.51	NS	NS	NS	NS
	4.5	0.30	0.41	1.01	NS	NS	NS	NS
	5.5	0.30	0.91	1.51	NS	NS	NS	NS
ej24045 & ej24545	3.5	0.30	0.30	0.30	0.40	NS	NS	NS
	4.5	0.30	0.30	0.30	0.90	NS	NS	NS
	5.5	0.30	0.30	0.80	1.40	NS	NS	NS
ej24063 & ej24563	4.0	0.30	0.30	0.30	0.66	NS	NS	NS
	5.0	0.30	0.30	0.55	1.16	NS	NS	NS
	6.0	0.30	0.45	1.05	1.66	NS	NS	NS
ej24090 & ej24590	4.5	0.30	0.30	0.32	0.92	NS	NS	NS
	5.5	0.30	0.30	0.82	1.42	NS	NS	NS
	6.5	0.30	0.72	1.32	1.92	NS	NS	NS
ej30045	4.5	0.30	0.30	0.30	0.30	0.30	0.66	NS
	5.5	0.30	0.30	0.30	0.30	0.60	1.16	NS
	6.5	0.30	0.30	0.30	0.45	1.06	1.66	NS
ej30063	4.5	0.30	0.30	0.30	0.30	0.30	0.67	NS
	5.5	0.30	0.30	0.30	0.30	0.56	1.17	NS
	6.5	0.30	0.30	0.30	0.46	1.06	1.67	NS
	7.0	0.30	0.30	0.30	0.71	1.31	1.92	NS
ej30090	5.0	0.30	0.30	0.30	0.30	0.33	0.93	NS
	6.0	0.30	0.30	0.30	0.30	0.83	1.48	NS
	7.0	0.30	0.30	0.30	0.73	1.33	1.93	NS
	7.5	0.30	0.30	0.37	0.98	1.58	2.18	NS
ej36063	5.0	0.30	0.30	0.30	0.30	0.30	0.30	0.68
	6.0	0.30	0.30	0.30	0.30	0.30	0.30	1.18
	7.0	0.30	0.30	0.30	0.30	0.30	0.48	1.68
	7.5	0.30	0.30	0.30	0.30	0.30	0.73	1.93
ej36090	5.0	0.30	0.30	0.30	0.30	0.30	0.30	0.69
	6.0	0.30	0.30	0.30	0.30	0.30	0.30	1.19
	7.0	0.30	0.30	0.30	0.30	0.30	0.49	1.69
	8.0	0.30	0.30	0.30	0.30	0.38	0.99	2.19

Rectangular Holes				
Height x Width (mm)				
125 x 250	150 x 300	175 x 350	200 x 400	250 x 500
Minimum distance from support – external or internal				
0.51	NS	NS	NS	NS
1.01	NS	NS	NS	NS
1.51	NS	NS	NS	NS
0.51	NS	NS	NS	NS
1.01	NS	NS	NS	NS
1.51	NS	NS	NS	NS
0.51	NS	NS	NS	NS
1.01	NS	NS	NS	NS
1.51	NS	NS	NS	NS
0.30	0.40	NS	NS	NS
0.30	0.90	NS	NS	NS
2.17	2.24	NS	NS	NS
0.30	0.66	NS	NS	NS
0.55	1.16	NS	NS	NS
2.48	2.53	NS	NS	NS
0.32	0.92	NS	NS	NS
0.82	1.42	NS	NS	NS
1.32	1.92	NS	NS	NS
0.30	0.30	0.65	0.91	NS
1.27	1.66	1.82	1.91	NS
2.90	2.90	2.92	2.91	NS
0.30	0.30	0.30	0.67	NS
0.30	0.96	1.39	1.58	NS
2.39	2.53	2.60	2.64	NS
3.16	3.17	3.17	3.17	NS
0.30	0.30	0.33	0.93	NS
0.30	0.30	0.83	1.48	NS
0.30	0.73	1.33	1.93	NS
0.30	0.98	1.58	2.18	NS
0.30	0.30	0.30	0.30	0.68
0.30	0.30	0.38	1.00	1.47
0.30	1.40	1.91	2.15	2.39
0.30	2.31	2.56	2.70	2.85
0.30	0.30	0.30	0.30	0.69
0.30	0.30	0.30	0.30	1.19
0.30	0.30	0.30	0.49	1.69
0.30	0.30	0.30	1.33	2.19

Note:

1. Distance from support is measured from the face of the support to the centre of a circular hole or to the edge of a square or rectangular hole.
2. Web hole locations can be interpolated for intermediate spans.
3. NS – Not Suitable

e-joint Specification

e-joint	
Dimensional Tolerances	Length -0 mm, + 20mm Depth -1 mm, + 2 mm Width -1 mm, + 1 mm
Adhesive (flange/web)	Phenolic Formaldehyde
Branding	Each e-joint is branded as least once with the product name for identification and evidence of compliance with manufacturing control standards.
Storage	e-joists must only be stacked in the upright position to avoid any damage during storage or handling. Only stack on level bearers (3.0m spacing max) providing a ground clearance of at least 150mm. e-joists are not to be placed over ponded water and are to be kept as dry as practicable. Do not stack e-joists on the flat.
flange	
Veneer	Thickness Constant but can vary between 3.2mm and 4.8mm Species Plantation timbers Joints Outer 2 plies are scarf jointed Inner plies – scarf and/or butt jointed
Moisture Content	8% - 15% (at time of despatch)
Density	650 kg/m ³ (approximately)
Adhesive	Phenolic – AS 2754.1
Bond	Type A – AS/NZS 2098.2
LVL Manufacturing Standard	AS/NZS 4357 Structural Laminated Veneer Lumber.
Joint Group	JD4
Finish	Unsanded faces, sawn edges and arrised edges.
web	
Material	Orientated Strand Board (OSB) or Strandboard
Moisture Content	8% - 15% (at time of despatch)
Adhesive	Phenolic – AS 2754.1
Bond	Type A – AS/NZS 2098.2
Web Manufacturing Standard	EN300:2006
Material Safety Data Sheets (MSDS)	Please refer to the Wesbeam website at www.wesbeam.com to download the MSDS sheets for LVL, OSB or Strandboard.

General Notes

1. Specified floor joist spans are independent of flooring type and are therefore suitable for a range of flooring products including: particleboard flooring, plywood flooring or strip flooring.
2. Heavier floor loads (floor mass >40kg/m², live loads for floor joists >1.5kPa and live loads for cantilever balconies >2.0kPa) requires special consideration - refer to Wesbeam technical support.
3. During construction, no one is to walk on or load joists until all blocking, rimbeams, temporary bracing, hangers or nails are installed.
4. Temporary battens must be used during construction. Joists must be restrained at a maximum of 2.5m centres with battens (70 x 20mm min.) fixed back to points of rigidity.
5. A minimum of 35mm bearing is required unless noted otherwise - as per D2.
6. All joists to be installed vertically plumb and kept straight between supports.
7. All joists require lateral support at end bearings - as per D5, D6 and D7.
8. Internal load bearing walls are to be supported by continuous e-joist blocking (see D8).
9. Joist hanger installation to be as per manufacturer's product literature. Incorrect installation can lead to unsafe or unsatisfactory performance.
10. Nailing Specification - all nails to be flat head unless otherwise specified.

Connection	Nailing Requirement	Detail Ref
Joist to bearing plate	2 x ø3.15 x 65	D3
Web stiffeners	See table	D4
Rimboard – skew nail to bearing plate	ø3.15 x 65 nails at 150mm crs, or ø4.5 x 75 nails at 300mm crs	D5
Rimboard to joist top & bottom flanges	1 x ø3.15 x 65 nail to each flange	
Flooring to Rimboard	as per flooring requirements of AS1684	
e-joist blocking – skew nail to bearing plate	ø3.15 x 65 nails at 150mm crs	D6
Flooring to e-joist blocking	as per flooring requirements of AS1684	D6
Rimjoist – skew nail to bearing plate	ø3.15 x 65 nails at 150mm crs	D7
Rimjoist to joist top & bottom flanges	1 x ø3.15 x 75 nail	D7
Flooring to Rimjoist	as per flooring requirements of AS1684	D7
Joist hangers	See tables	D11
Adjacent non-loadbearing cantilvered joist	2 rows ø3.15 x 65 nails at 150mm crs and min nail group each end	D21
Nested non-loadbearing cantilvered joist	2 rows ø3.15 nails at 150mm crs and min nail group each end Single joist - 50mm long Double joist - 100mm long	D24
Loadbearing cantilever Reinforcement/flange	ø2.8 x 50 nails at 100mm crs	D29
Reinforcement/stiffener	Minimum of 5 x ø3.15 nails - 45 & 51mm flanges - 75mm long 63 & 90mm flanges - 90mm long	D29

Notes

Notes

190 Pederick Road
Neerabup WA 6031
Australia

PO Box 217
Wanneroo WA 6946
Australia

T (08) 9306 0400
F (08) 9306 0444

wesbeam@wesbeam.com
www.wesbeam.com

